

ENTERPRISE EUMS

HOW EUMOS ENABLES ACCESS CONTROL FOR WEB3
BUSINESSES



Federico Kunze Küllmer - Founder





ABOUT ME

X @fekunze



Cosmos Hub



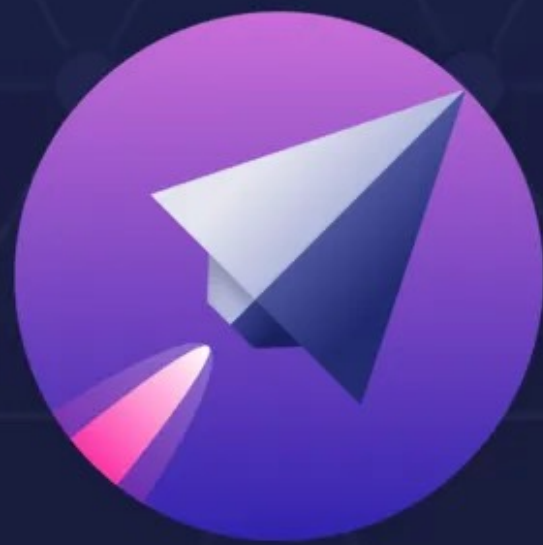
Tendermint Core



Cosmos SDK



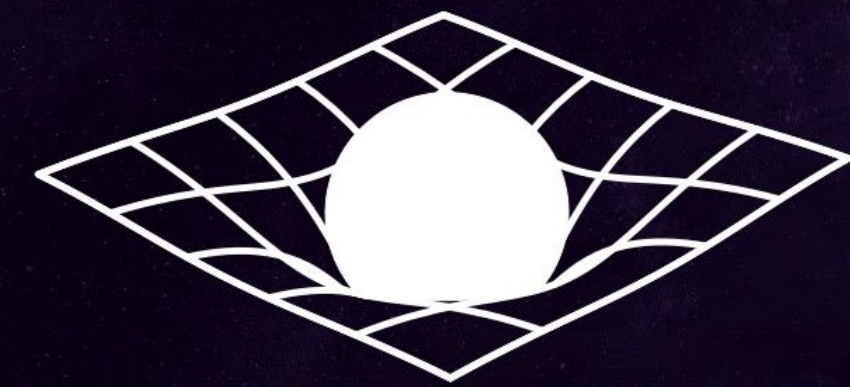
IBC Protocol



Evmos



Ethermint





BLOCKCHAIN
AT BERKELEY



Berkeley's hub for blockchain innovation.

We're a student-run organization at UC Berkeley focused on blockchain innovation via education, research, and consulting.

[Apply now](#)





BLOCKCHAIN
AT BERKELEY

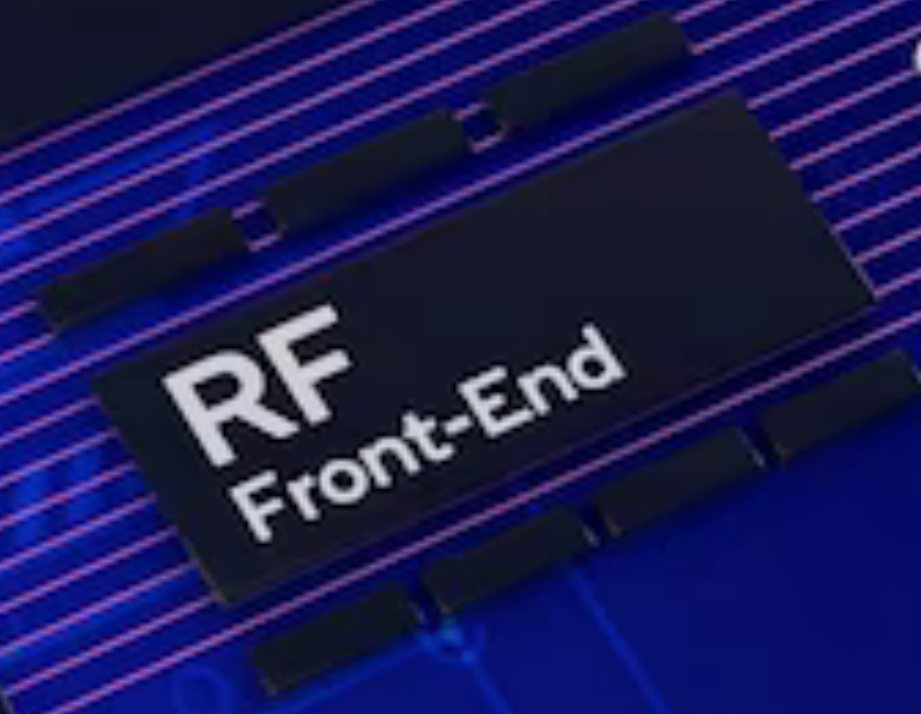
Qualcomm





Snapdragon

X80 5G Modem-RF



5G mmWave

Sub-6 GHz

Snapdragon® Satellite

AI-Powered 5G Advanced Performance





Precise positioning
Lane-level accuracy
anywhere, anytime



Bluetooth
For high quality
voice and audio



Wi-Fi
For in-car experiences
and car OEM services



4G/5G
For car OEM services



4G/5G
For driver
and passengers



C-V2X
For car to infrastructure
communication



C-V2X
For car to car
communication

Car Connectivity
in the 5G era

Heterogeneous
Connectivity

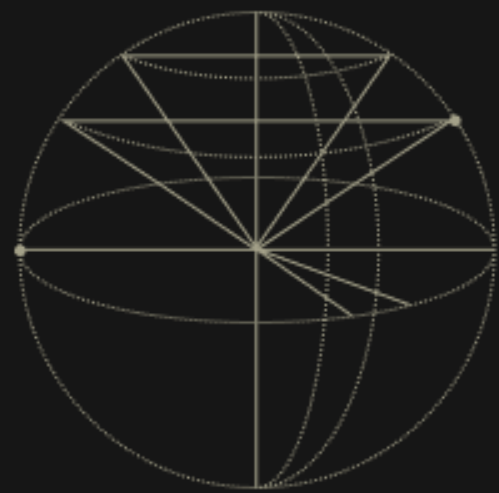
Secure, virtualized
wireless links

Advanced
Positioning

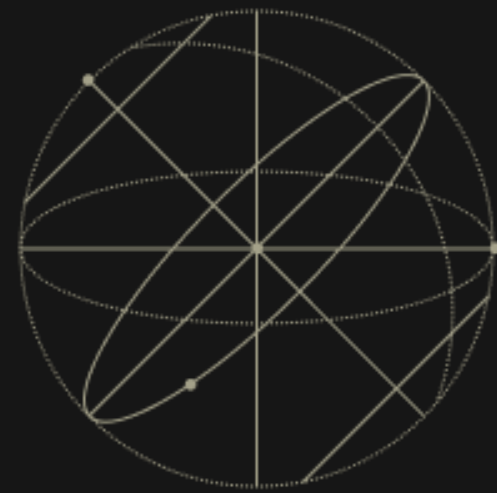
Multi-environment
implementation



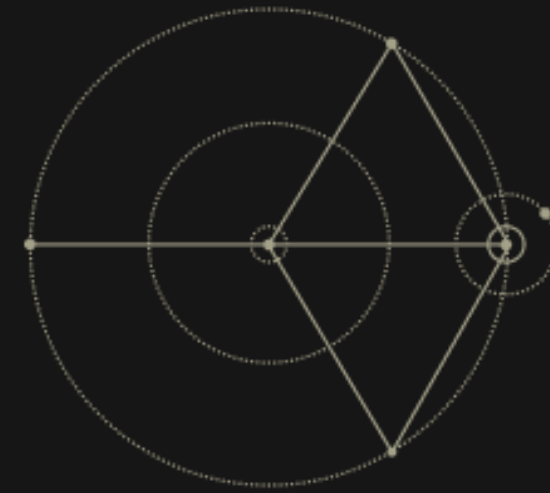
REQUIREMENTS



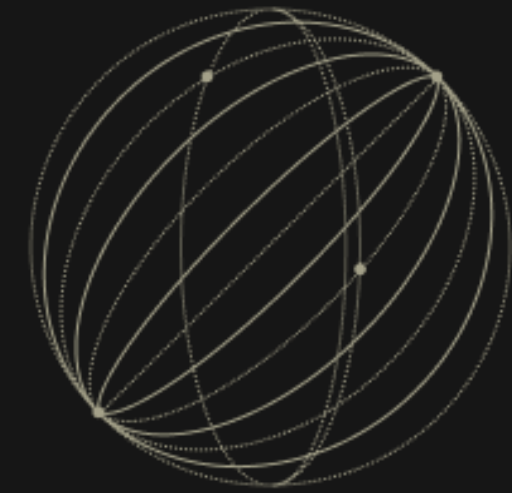
EVM



**Permissioned
Consortium**



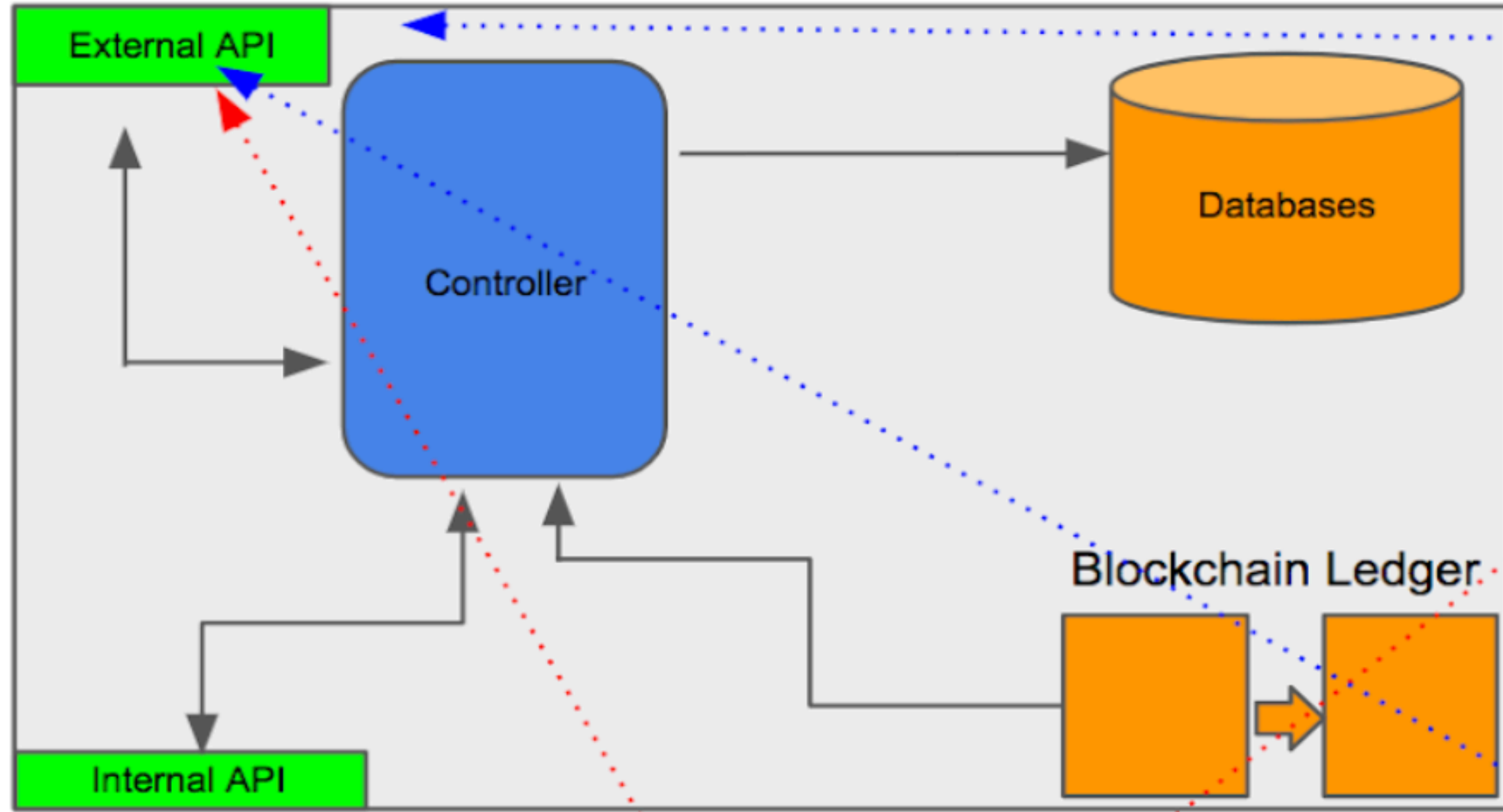
**Instant
Finality**



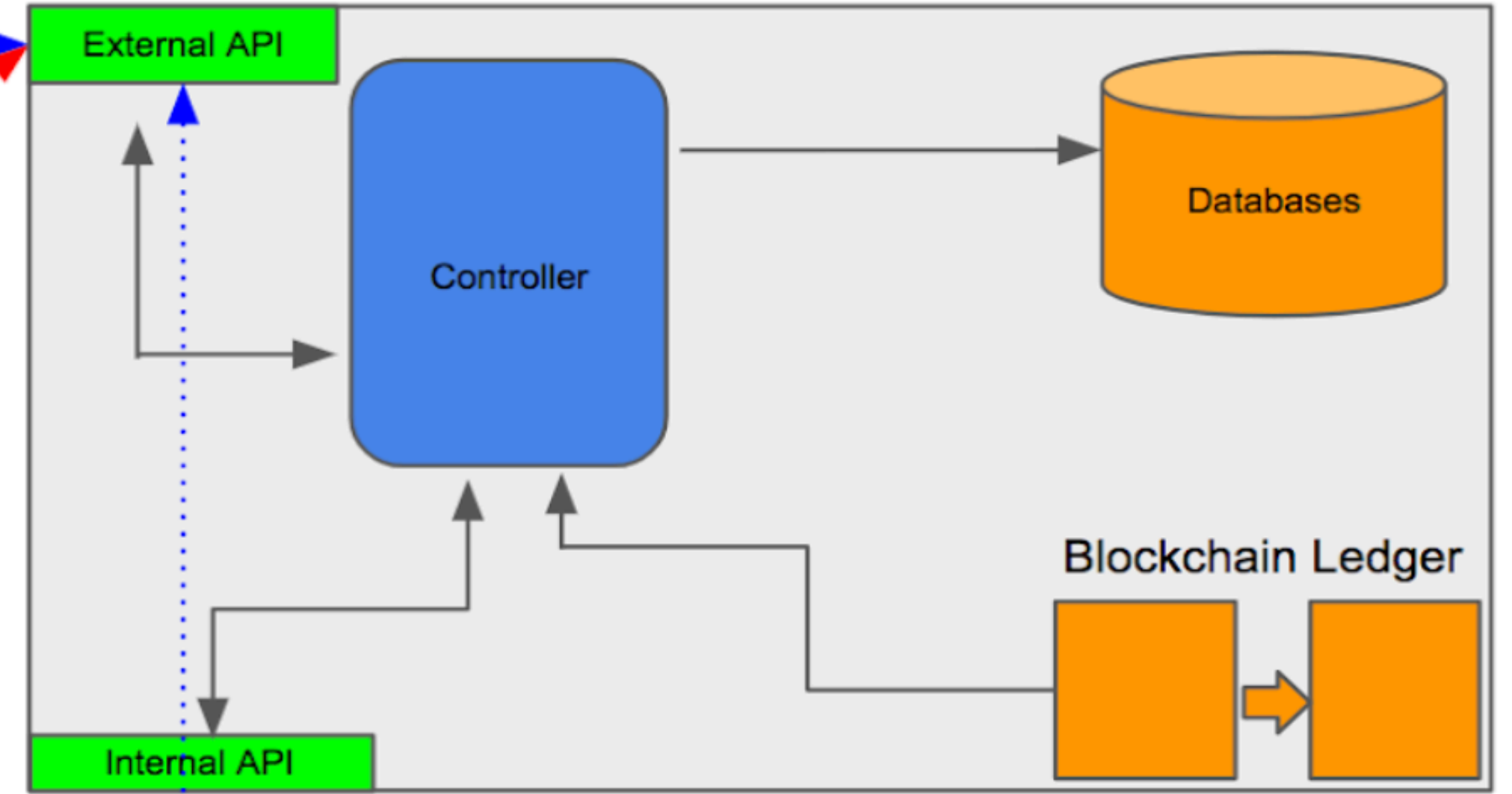
**Energy
Efficiency**



Company Node A

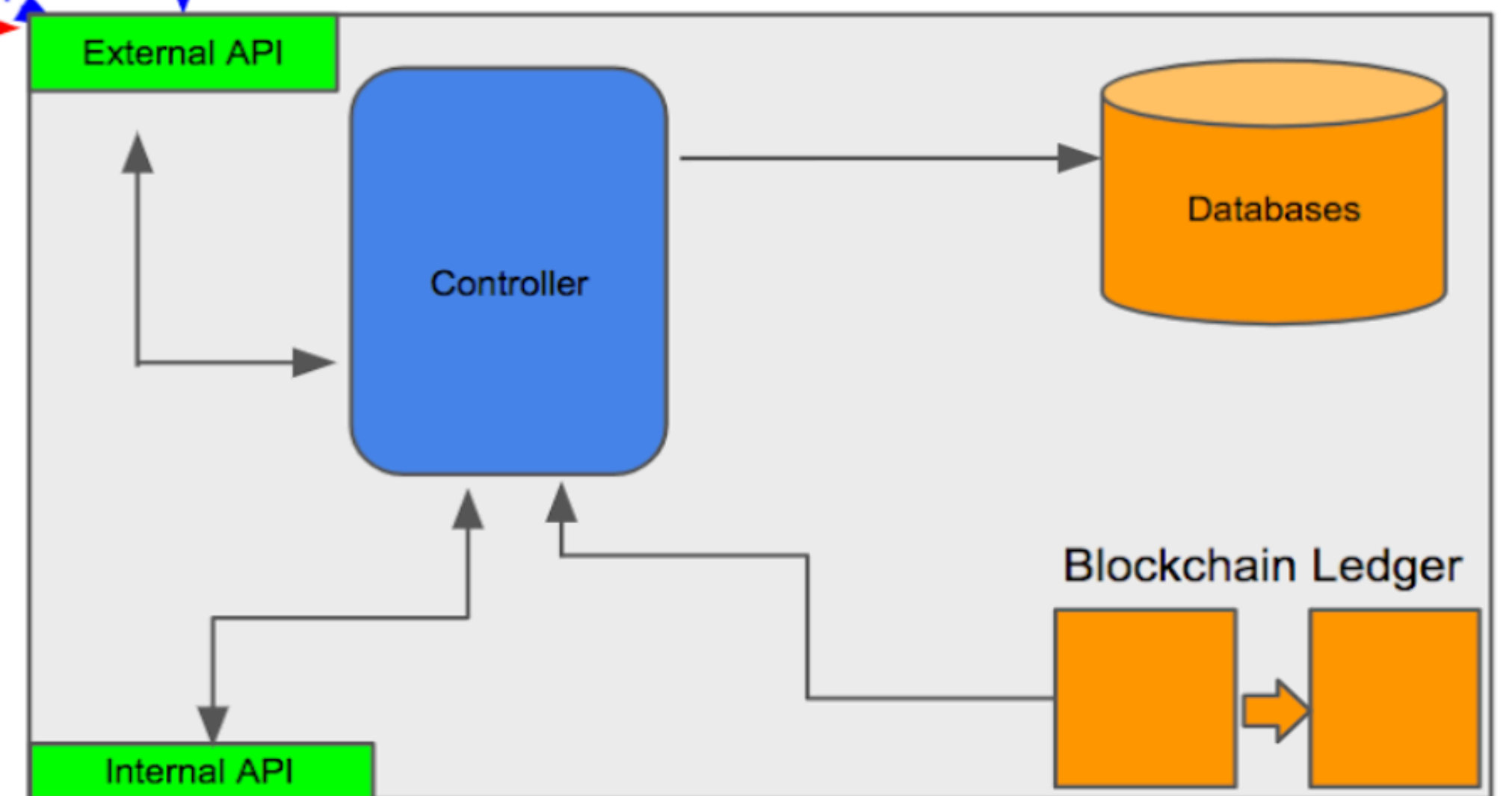
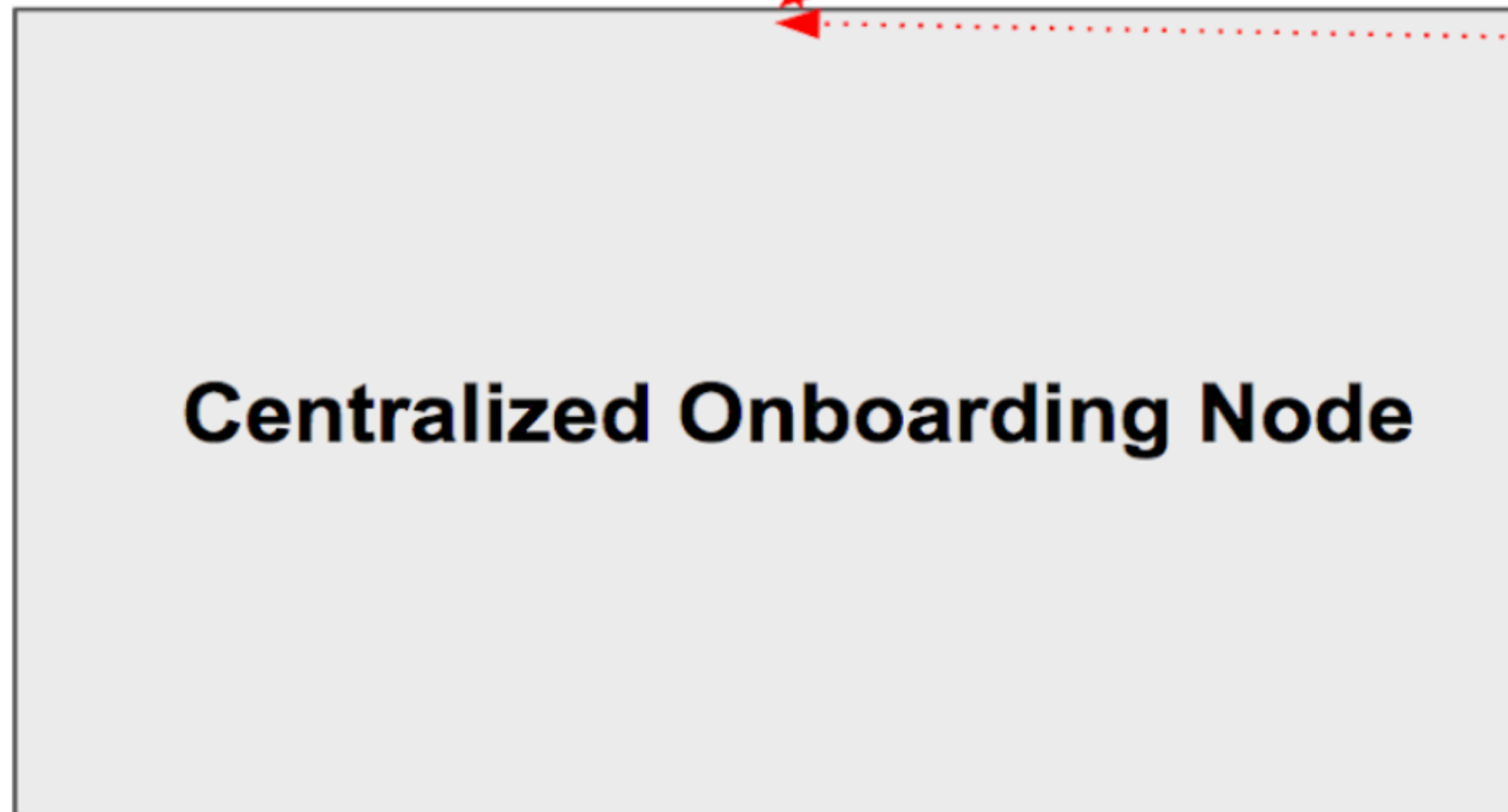


Company Node B



Qualcomm

Company Node C



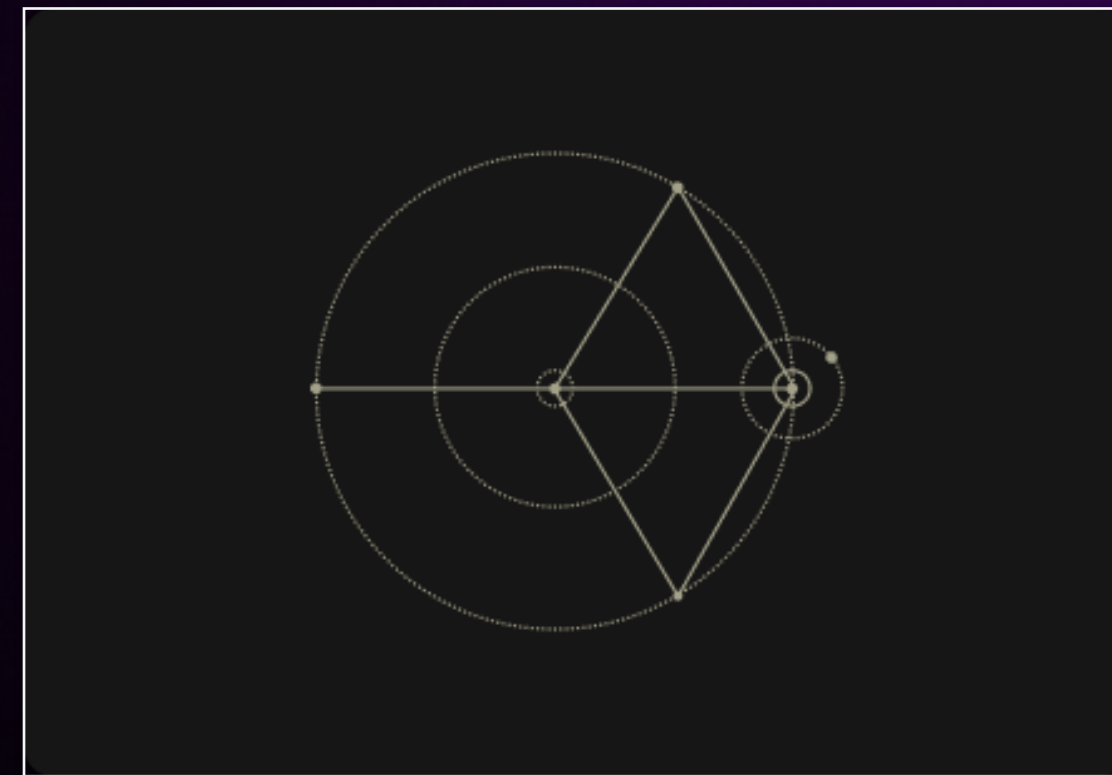
CHALLENGES



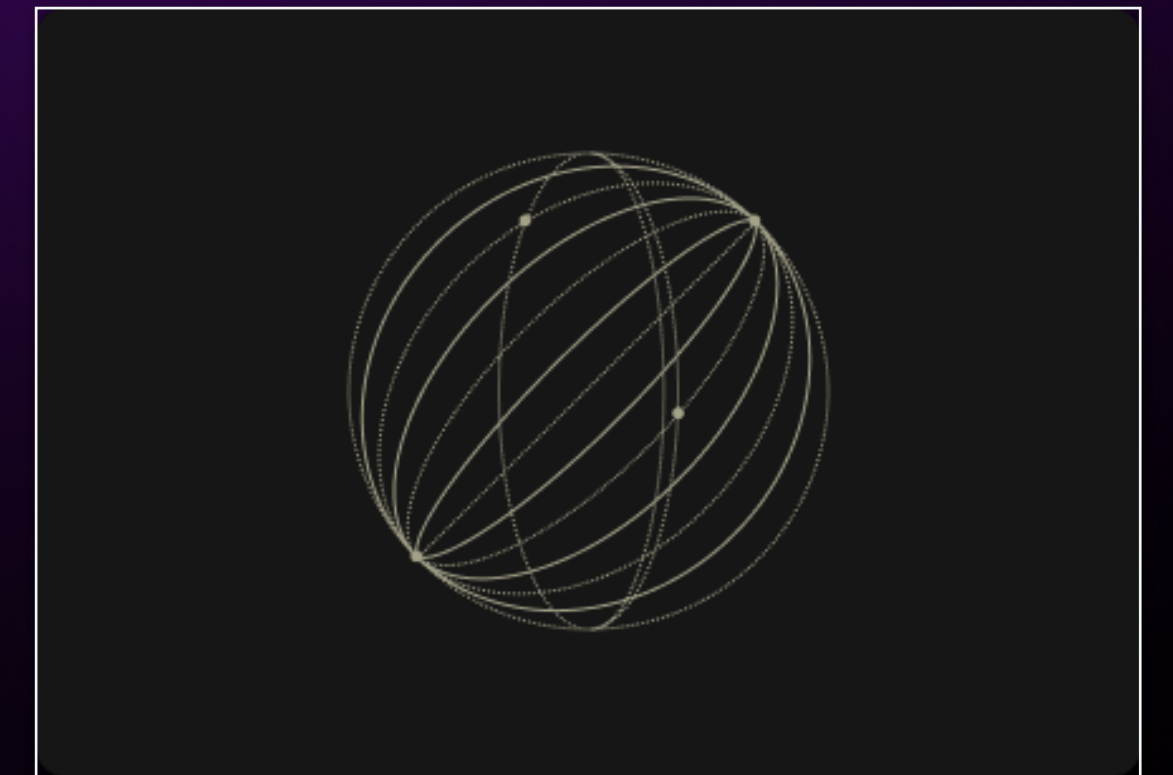
**No
Governance**



**No Integrated
Access Control**



**No
Stablecoin**



**No
Interoperability**



SMART CONTRACT
ACCESS CONTROL



EIP-173: OWNERSHIP

Specification

Every ERC-173 compliant contract must implement the `ERC173` interface. Contracts should also implement `ERC165` for the ERC-173 interface.

```
/// @title ERC-173 Contract Ownership Standard
/// Note: the ERC-165 identifier for this interface is 0x7f5828d0
interface ERC173 /* is ERC165 */ {
    /// @dev This emits when ownership of a contract changes.
    event OwnershipTransferred(address indexed previousOwner, address indexed newOwner);

    /// @notice Get the address of the owner
    /// @return The address of the owner.
    function owner() view external returns(address);

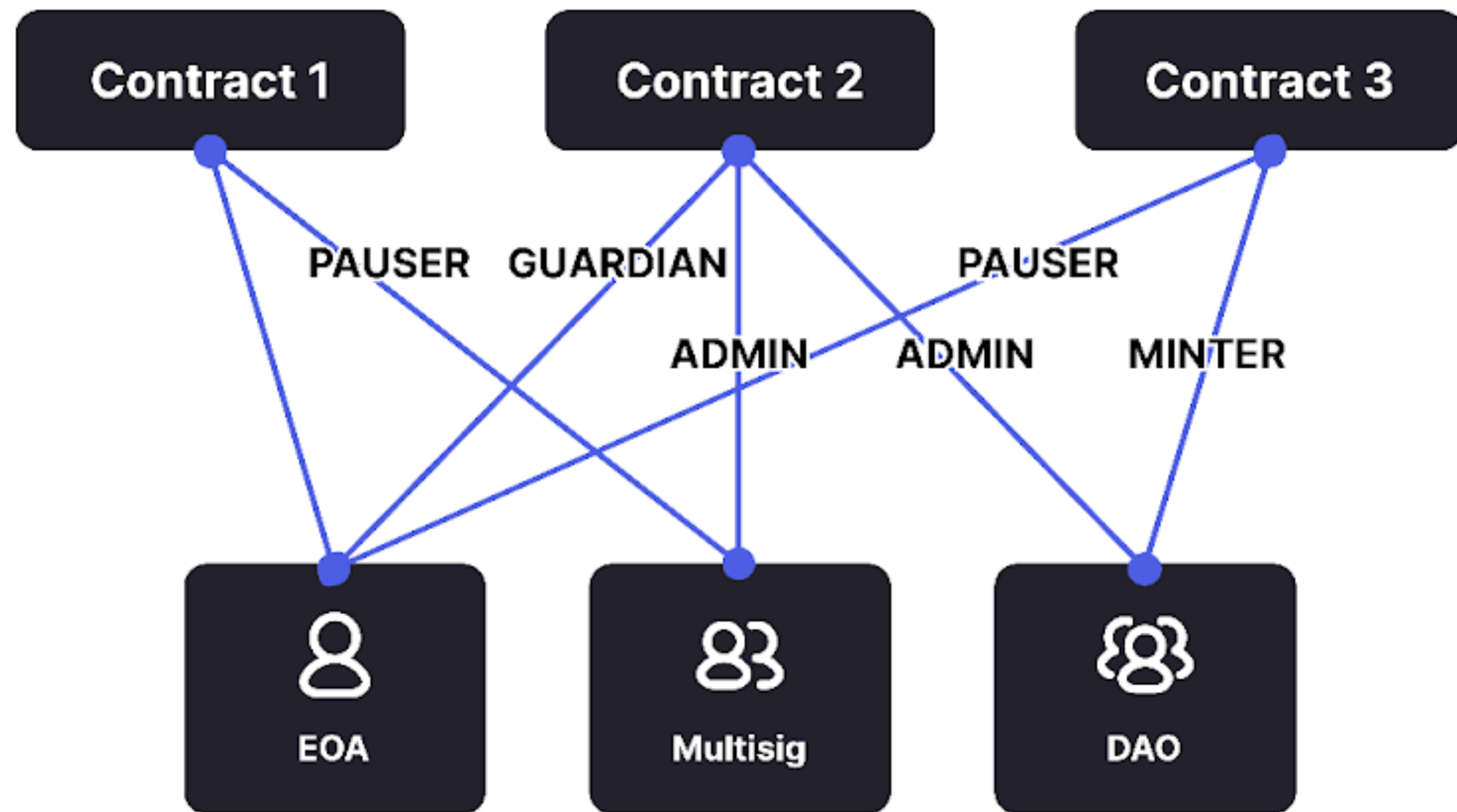
    /// @notice Set the address of the new owner of the contract
    /// @dev Set _newOwner to address(0) to renounce any ownership.
    /// @param _newOwner The address of the new owner of the contract
    function transferOwnership(address _newOwner) external;
}

interface ERC165 {
    /// @notice Query if a contract implements an interface
    /// @param interfaceID The interface identifier, as specified in ERC-165
    /// @dev Interface identification is specified in ERC-165.
    /// @return `true` if the contract implements `interfaceID` and
    /// `interfaceID` is not 0xffffffff, `false` otherwise
    function supportsInterface(bytes4 interfaceID) external view returns (bool);
}
```

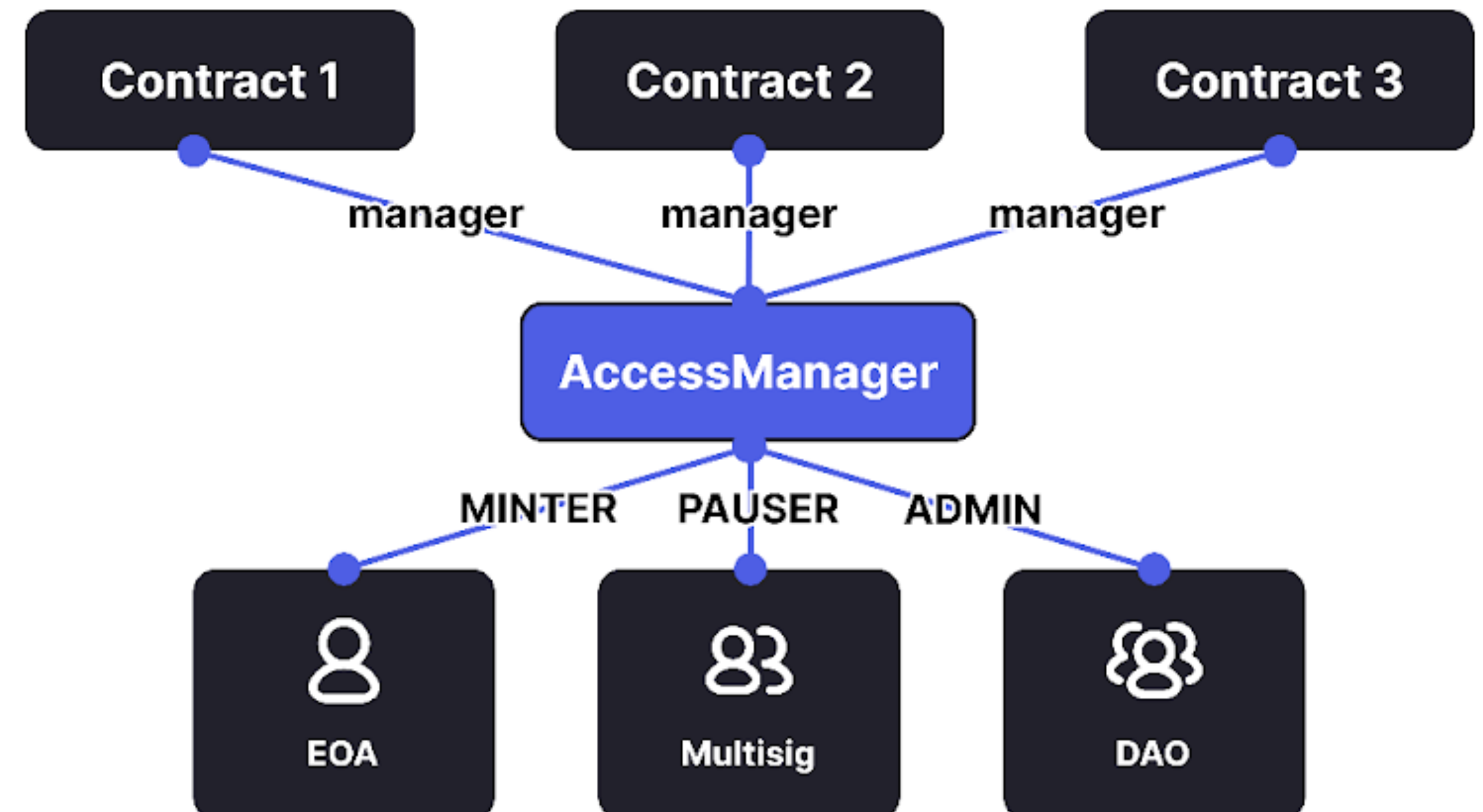


RBAC

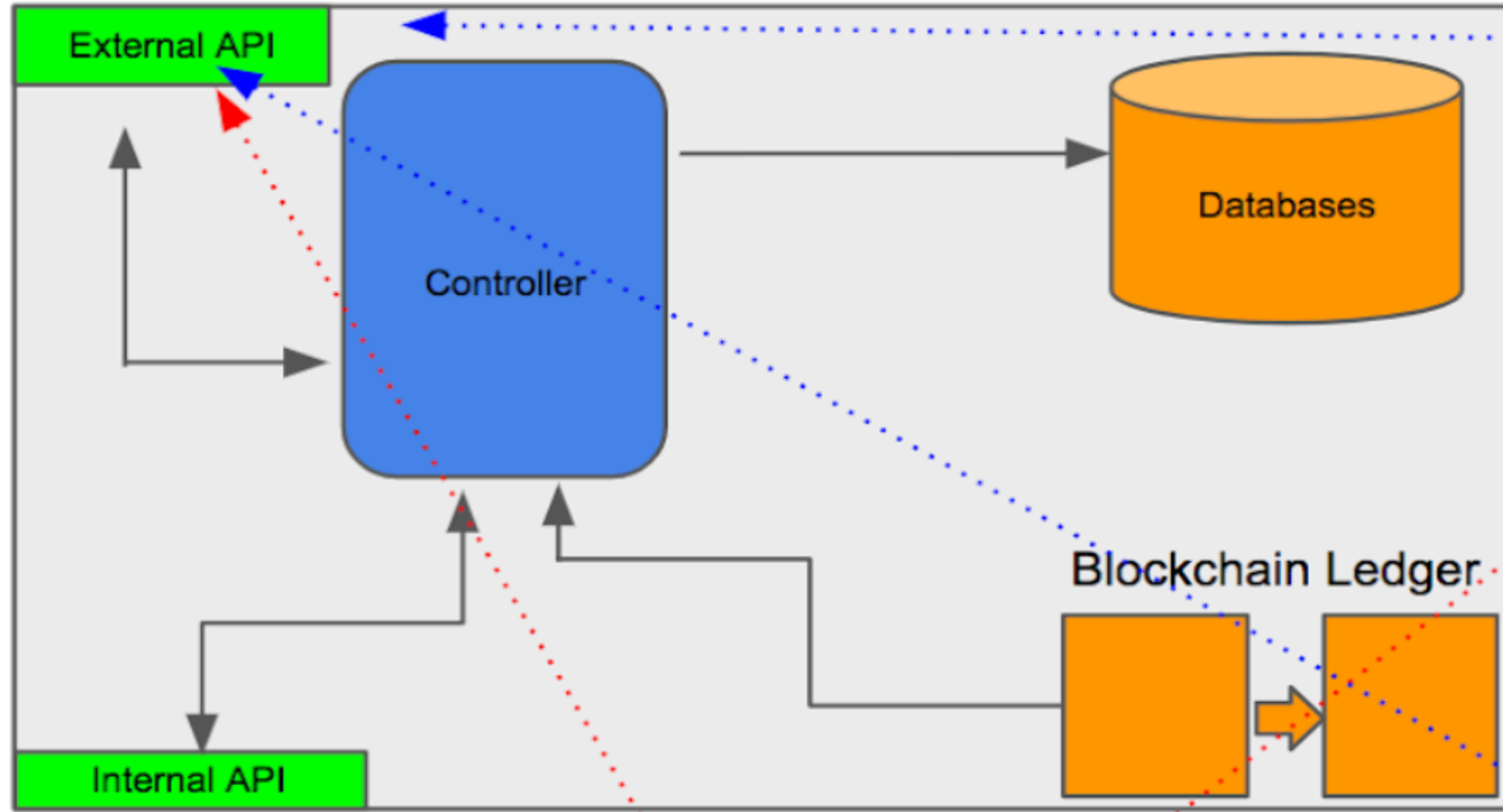
Traditional AccessControl



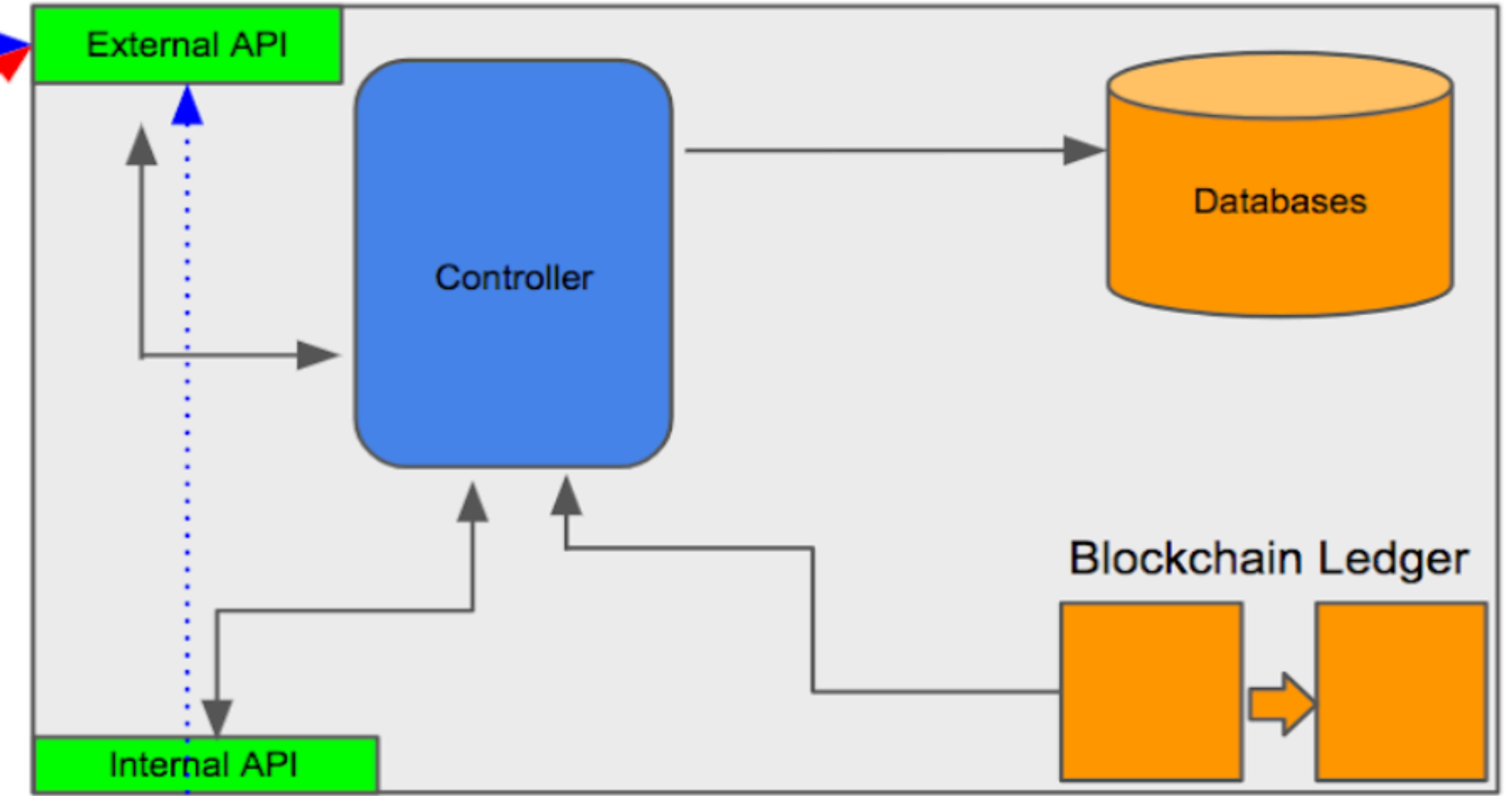
New AccessManager



Company Node A

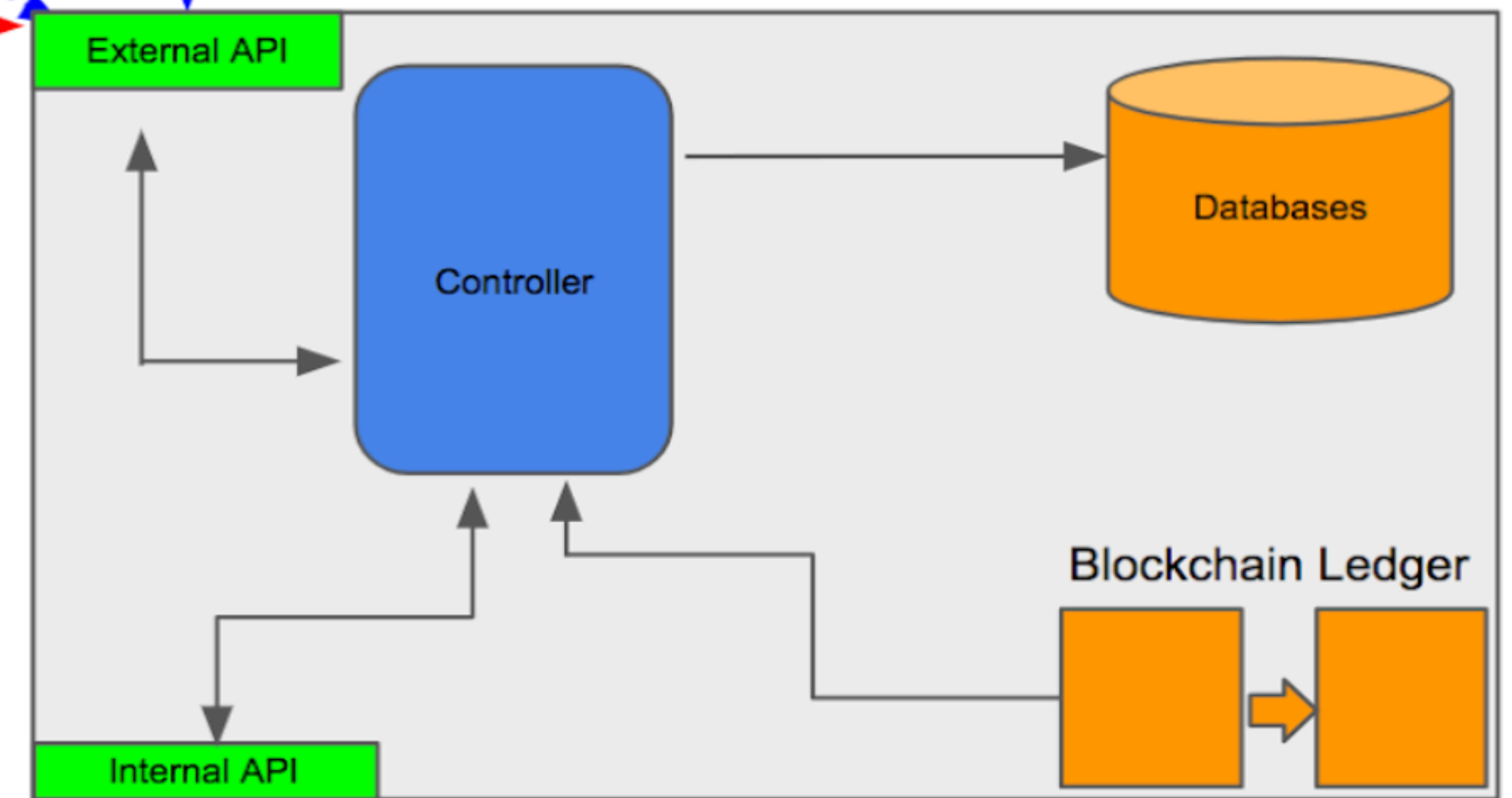


Company Node B

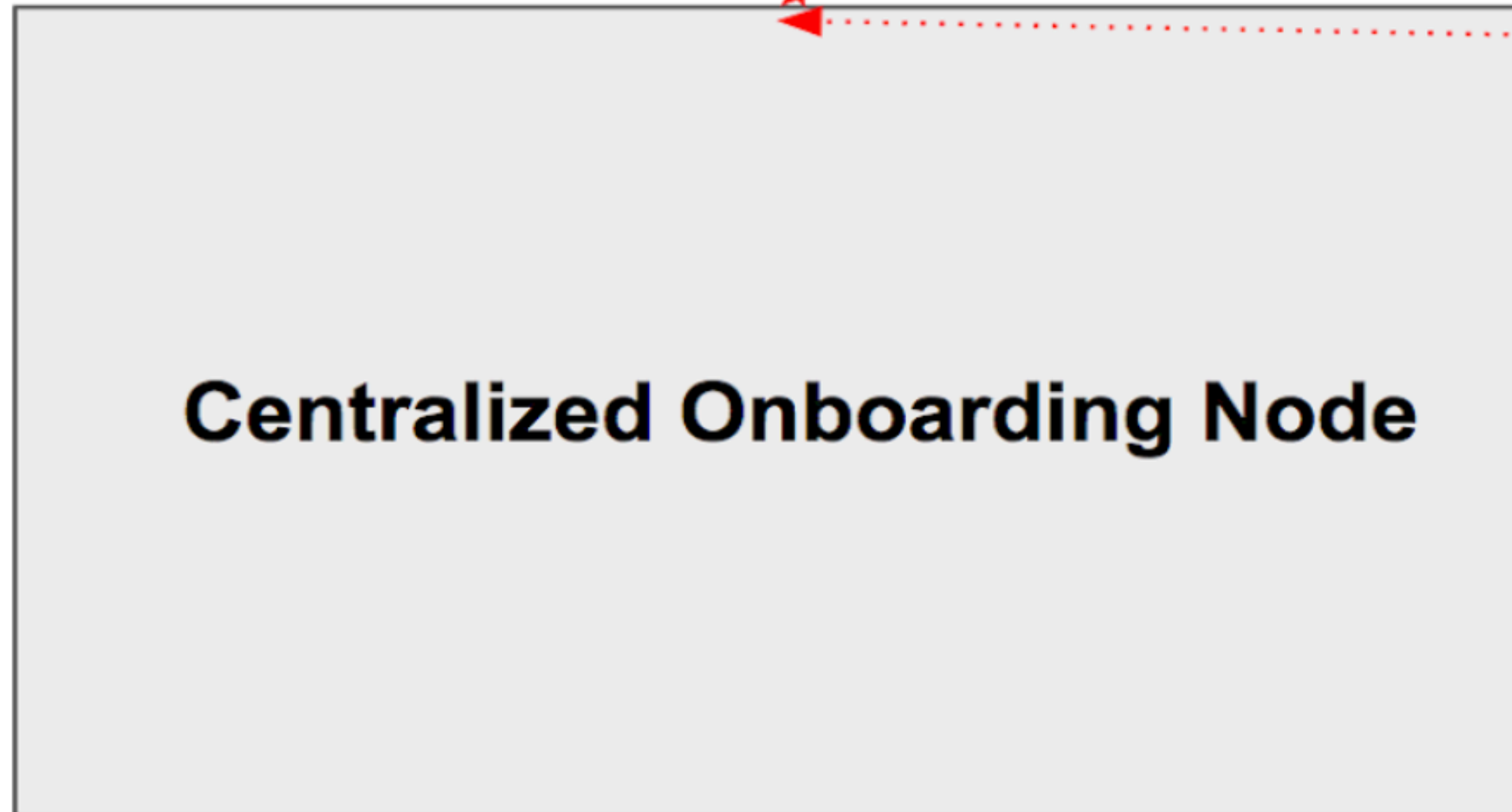


Qualcomm

Company Node C



Centralized Onboarding Node



EVM ACCESS CONTROL



MODULAR , CUSTOMIZABLE ,
INTEROPERABLE

EVM FOR WEB3 BUSINESSES

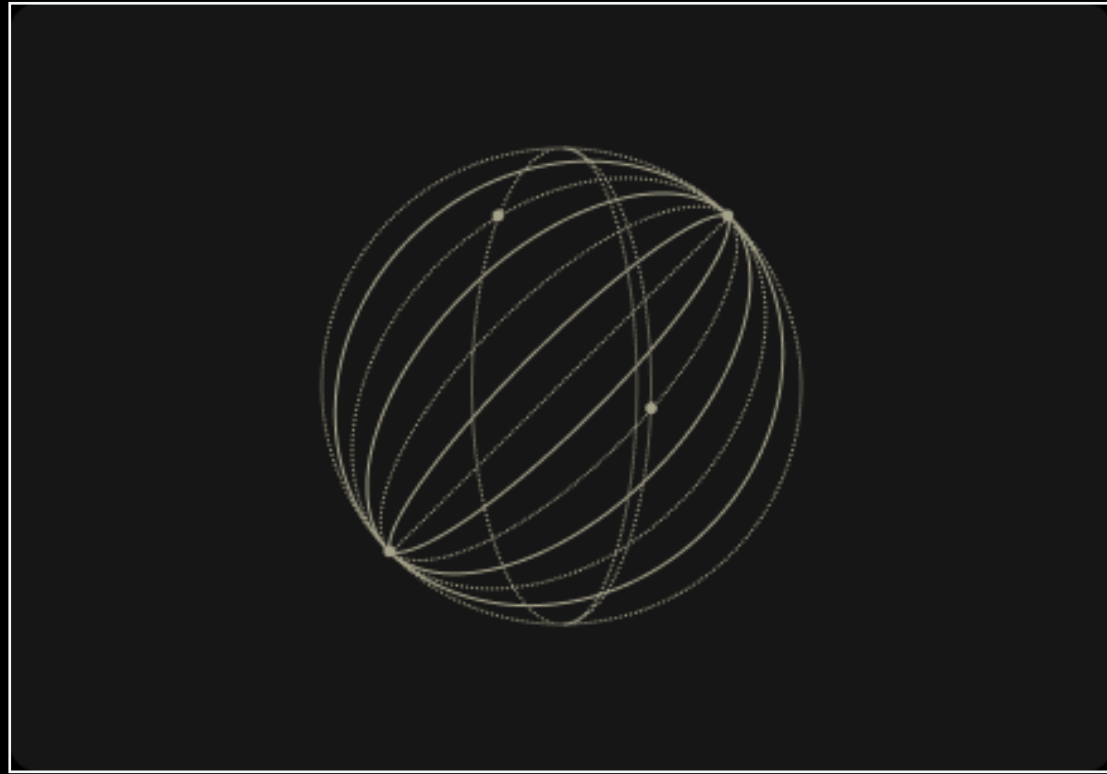
MODULAR , CUSTOMIZABLE ,
INTEROPERABLE

evmOS is the trusted EVM in Cosmos. Fully customizable and loaded with IBC and CometBFT.

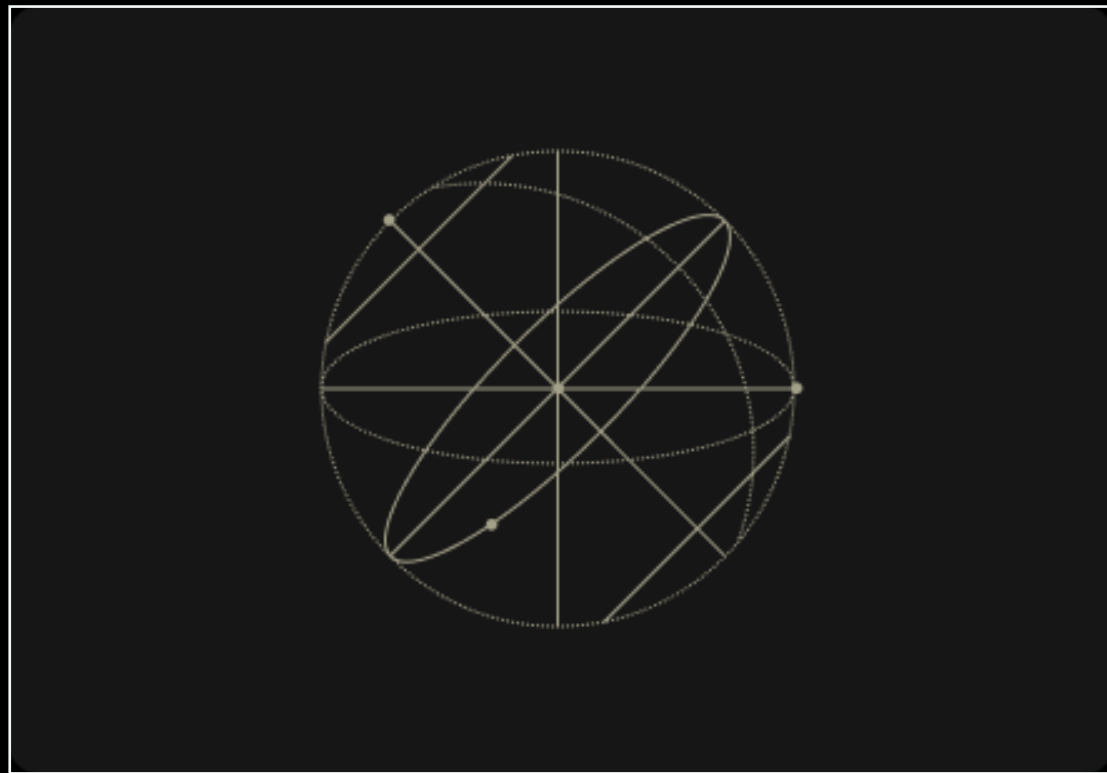
Get EVM

Learn More

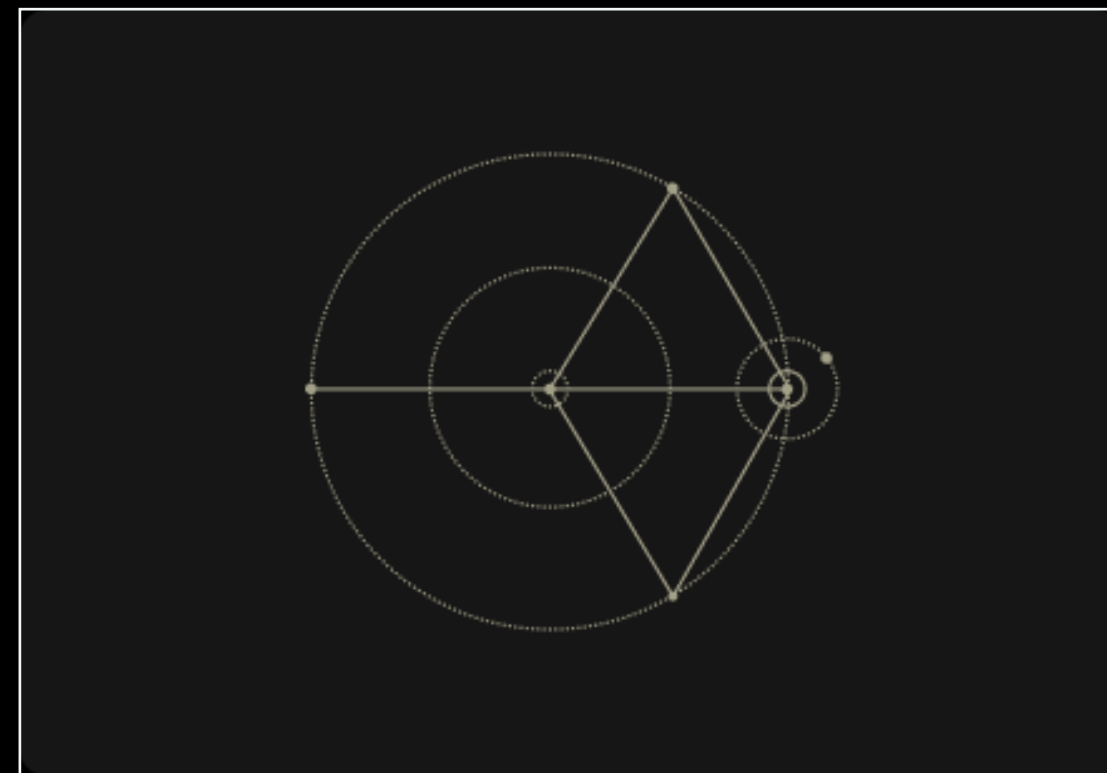
MODULAR , CUSTOMIZABLE ,
INTEROPERABLE



PERMISSIONLESS

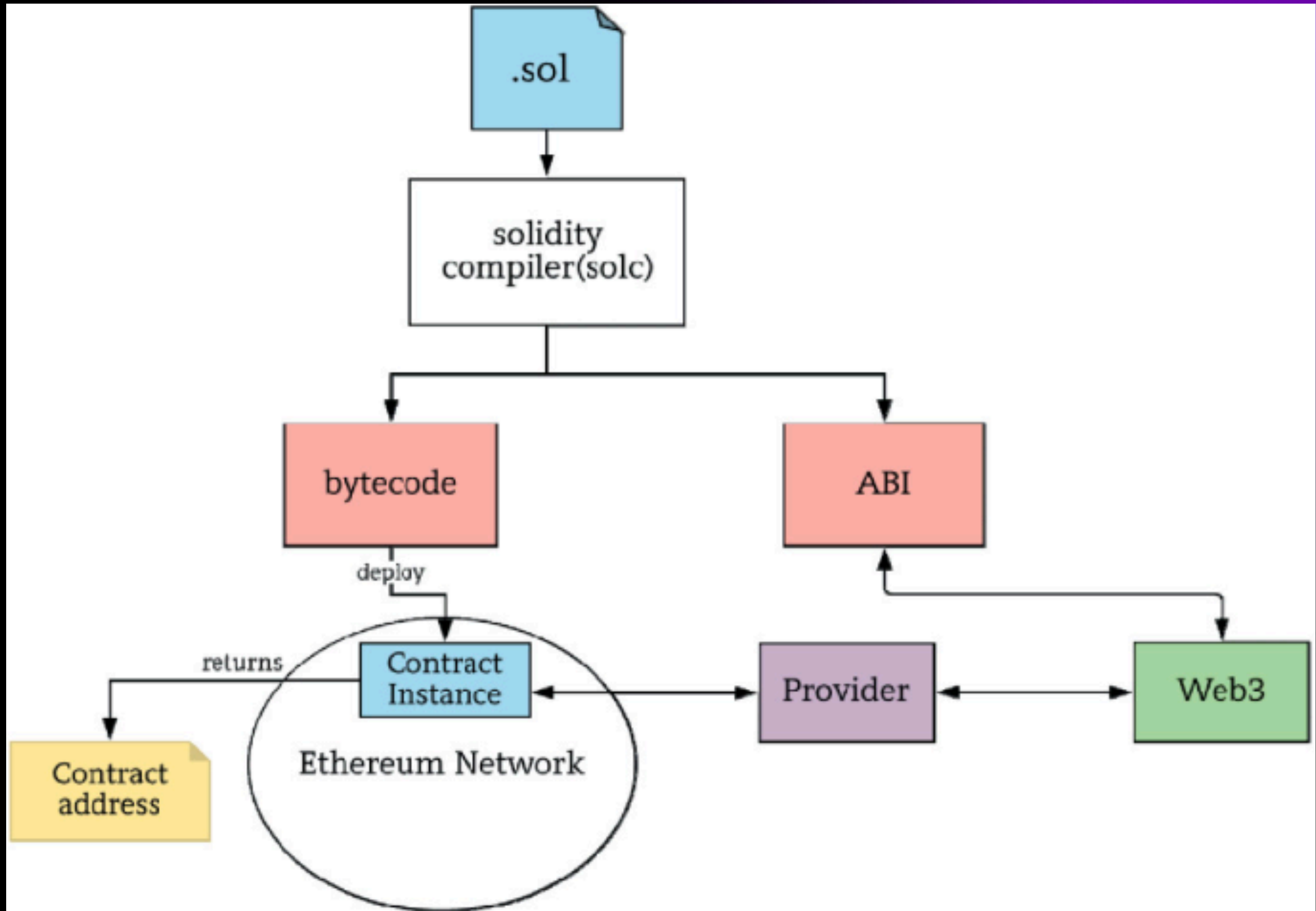


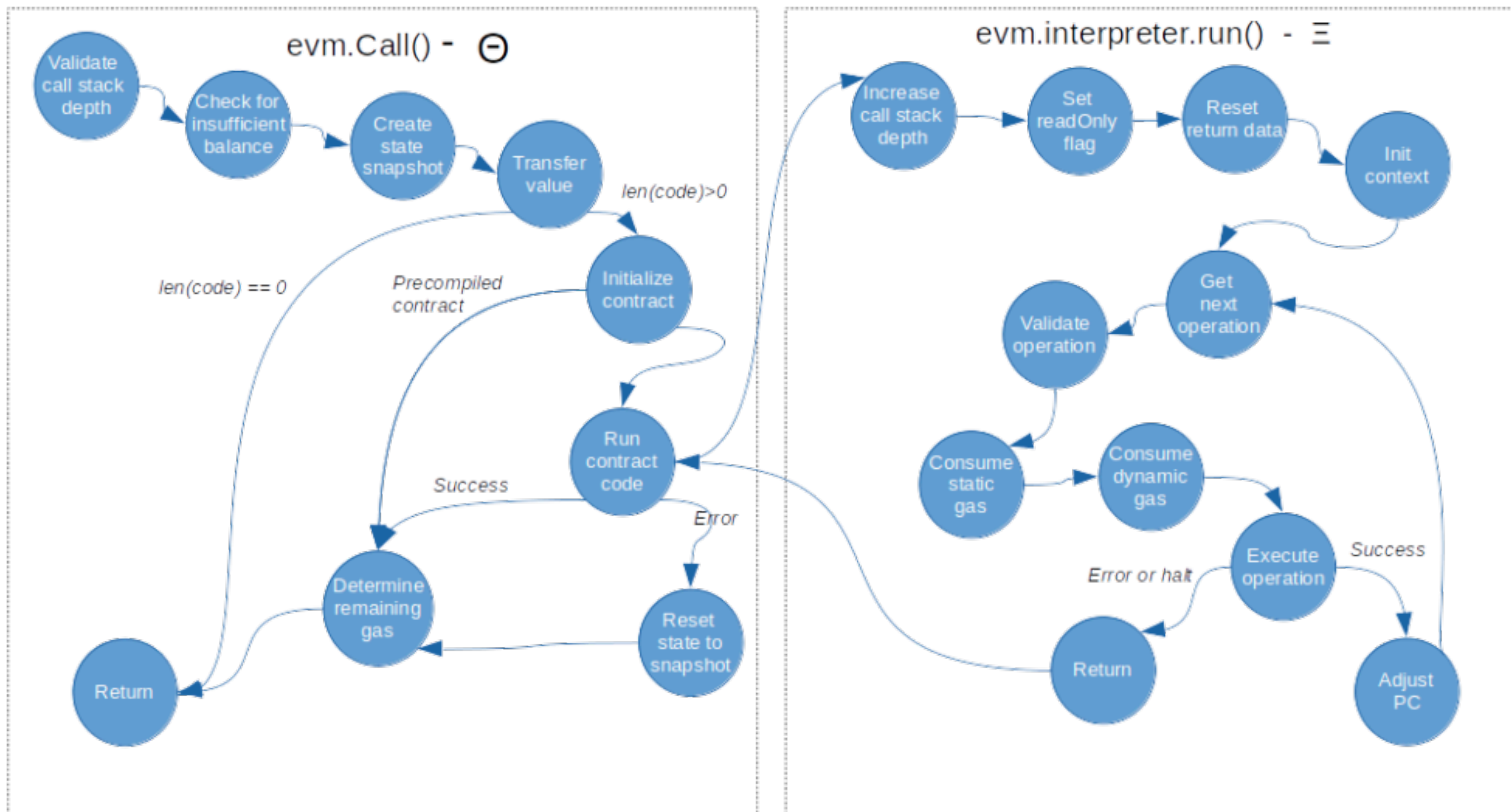
PERMISSIONED



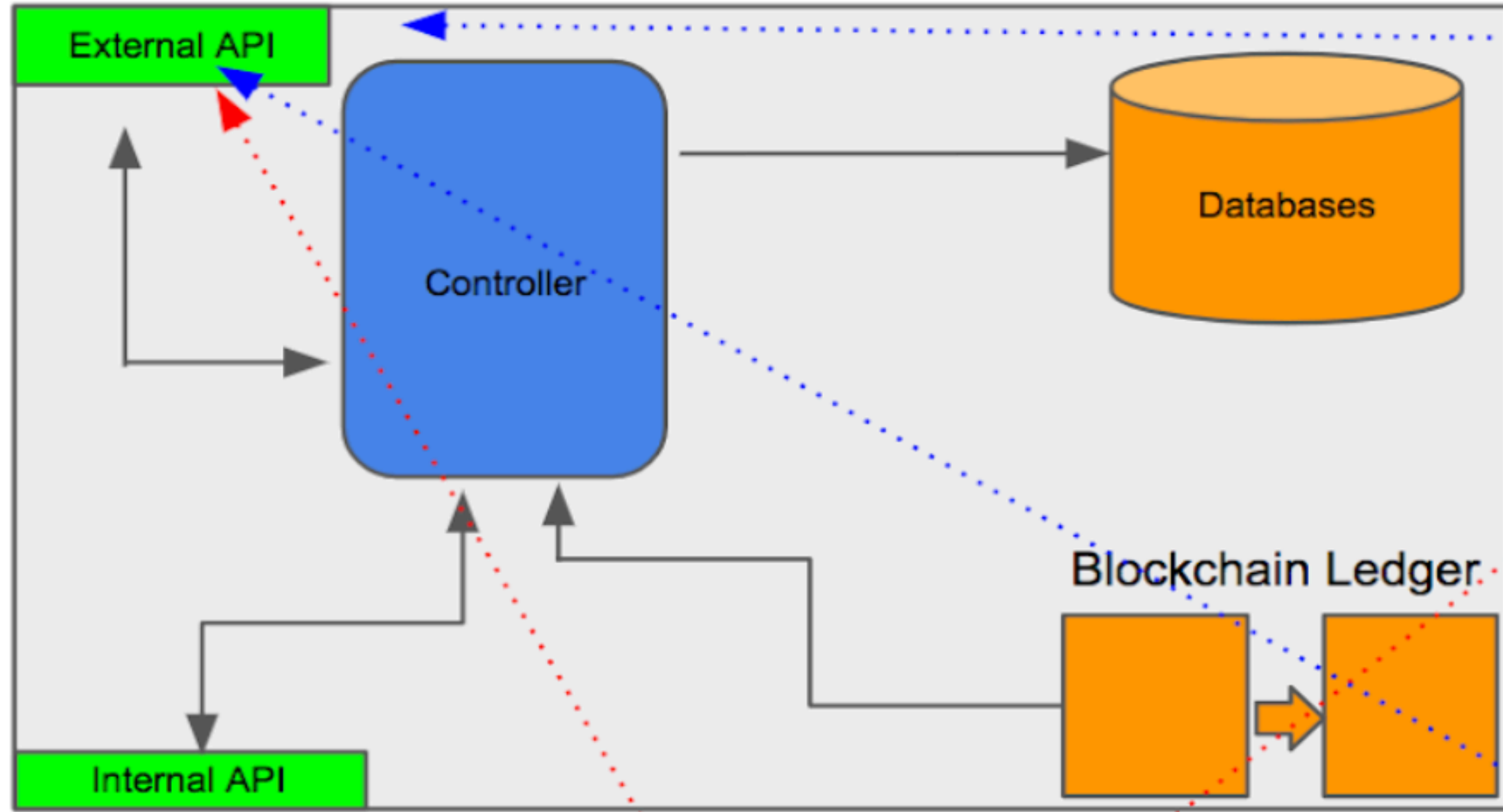
RESTRICTED



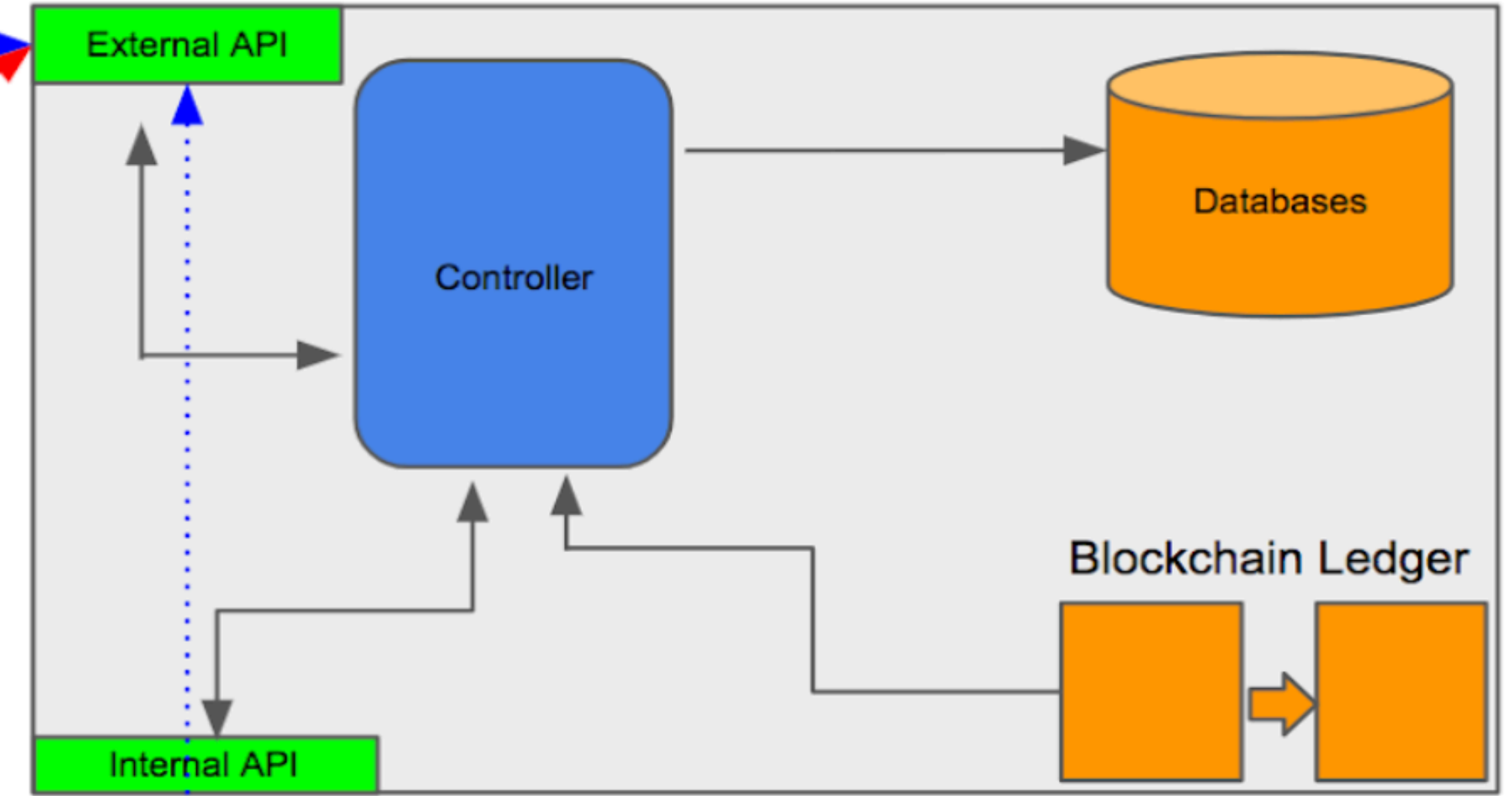




Company Node A

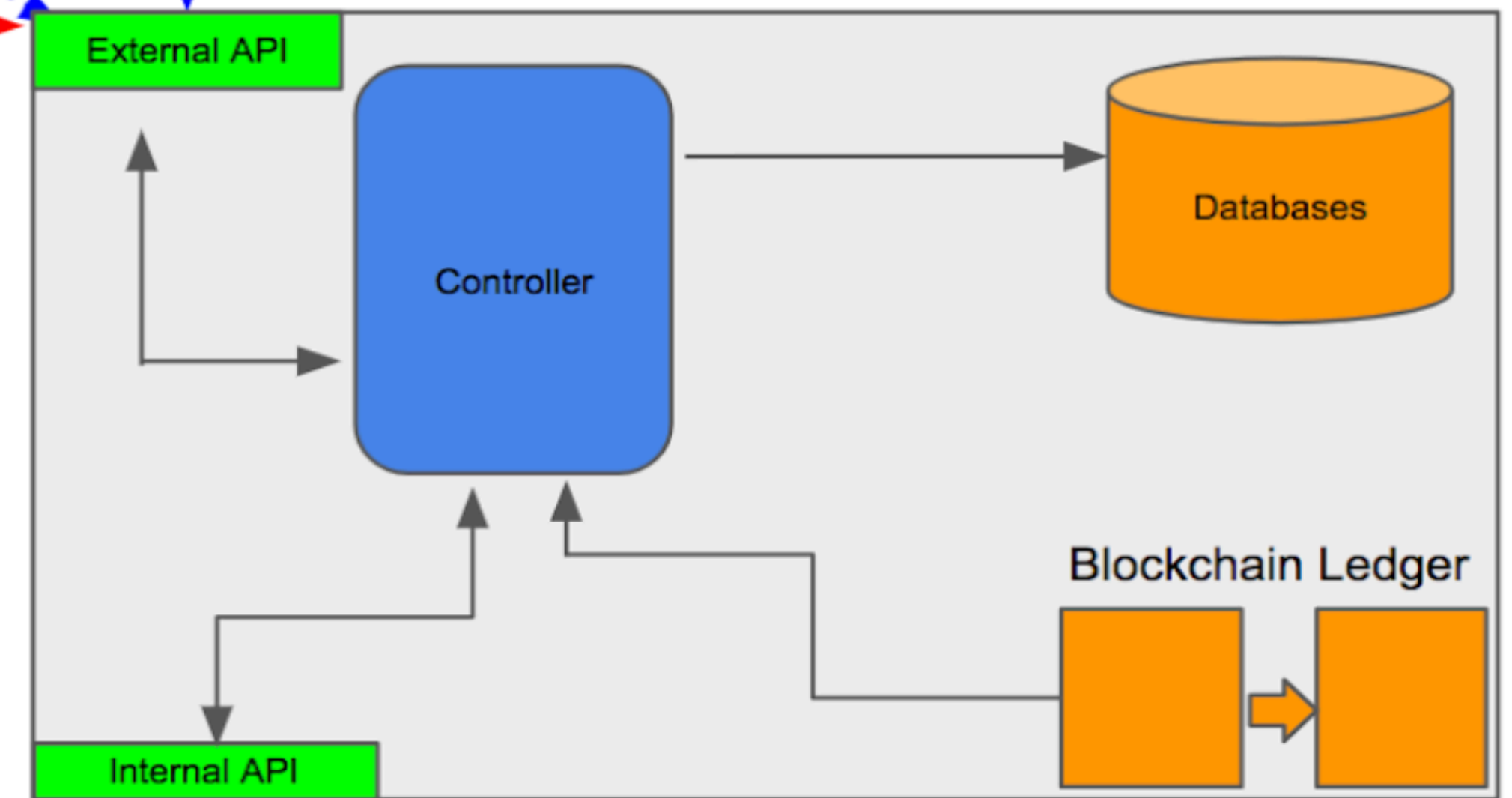


Company Node B

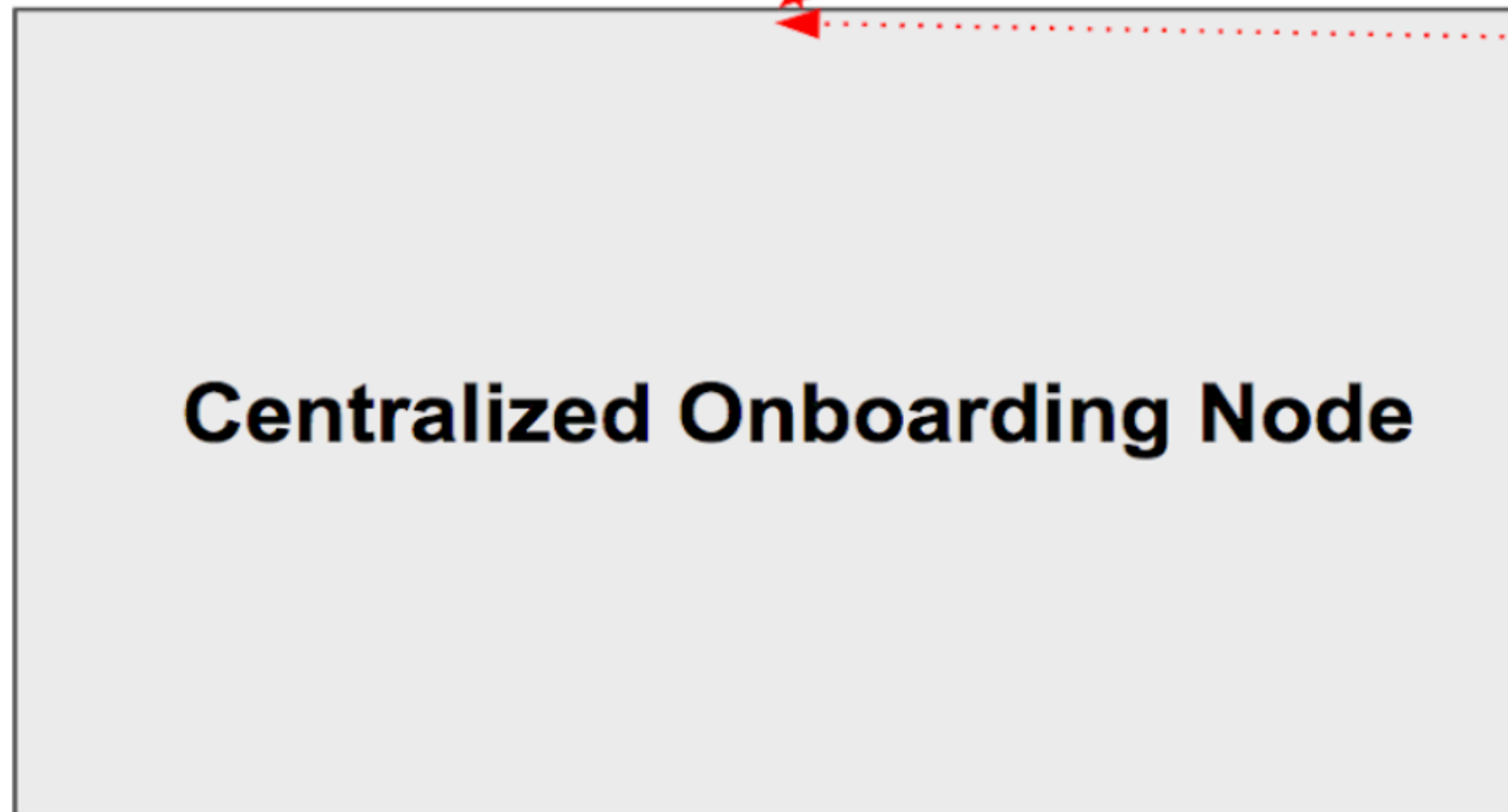


Qualcomm

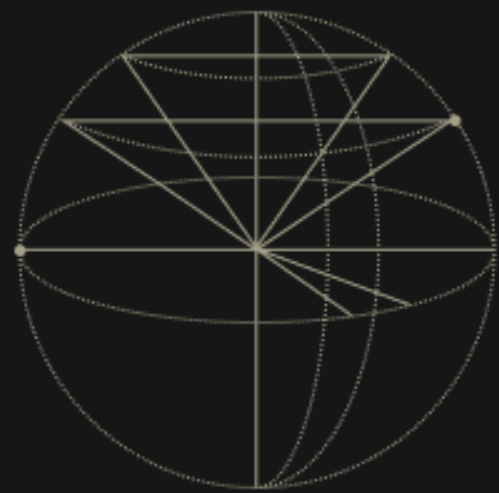
Company Node C



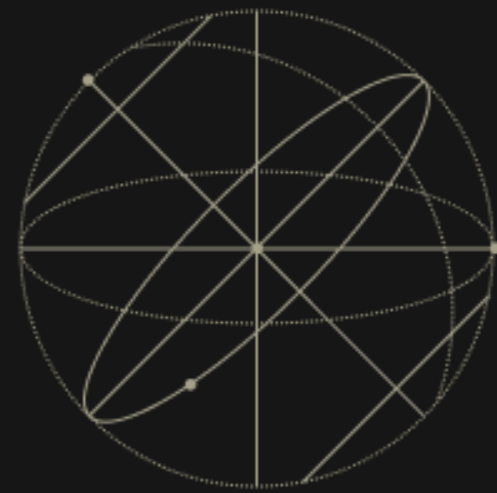
Centralized Onboarding Node



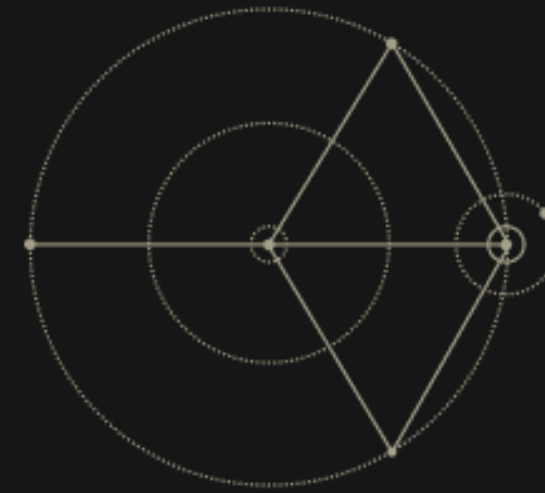
BENEFITS



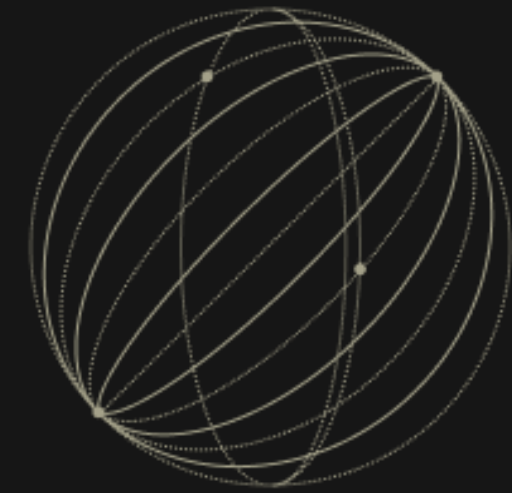
**Granular
Access**



**Enhanced
Security**



**Spam
Prevention**



**Reduced
Cost**

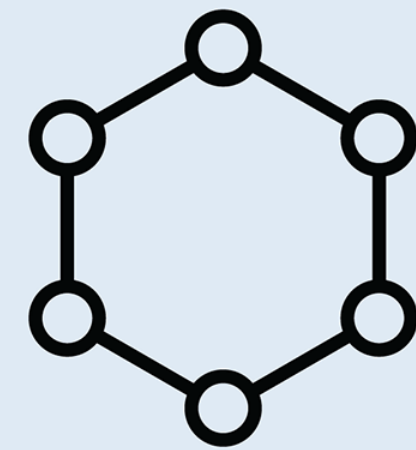


CONSENSUS ACCESS CONTROL



Permissionless

Permissioned



Public

No central authority



Hybrid

Controlled by one authority with some permissionless processes



Private

Controlled by one authority

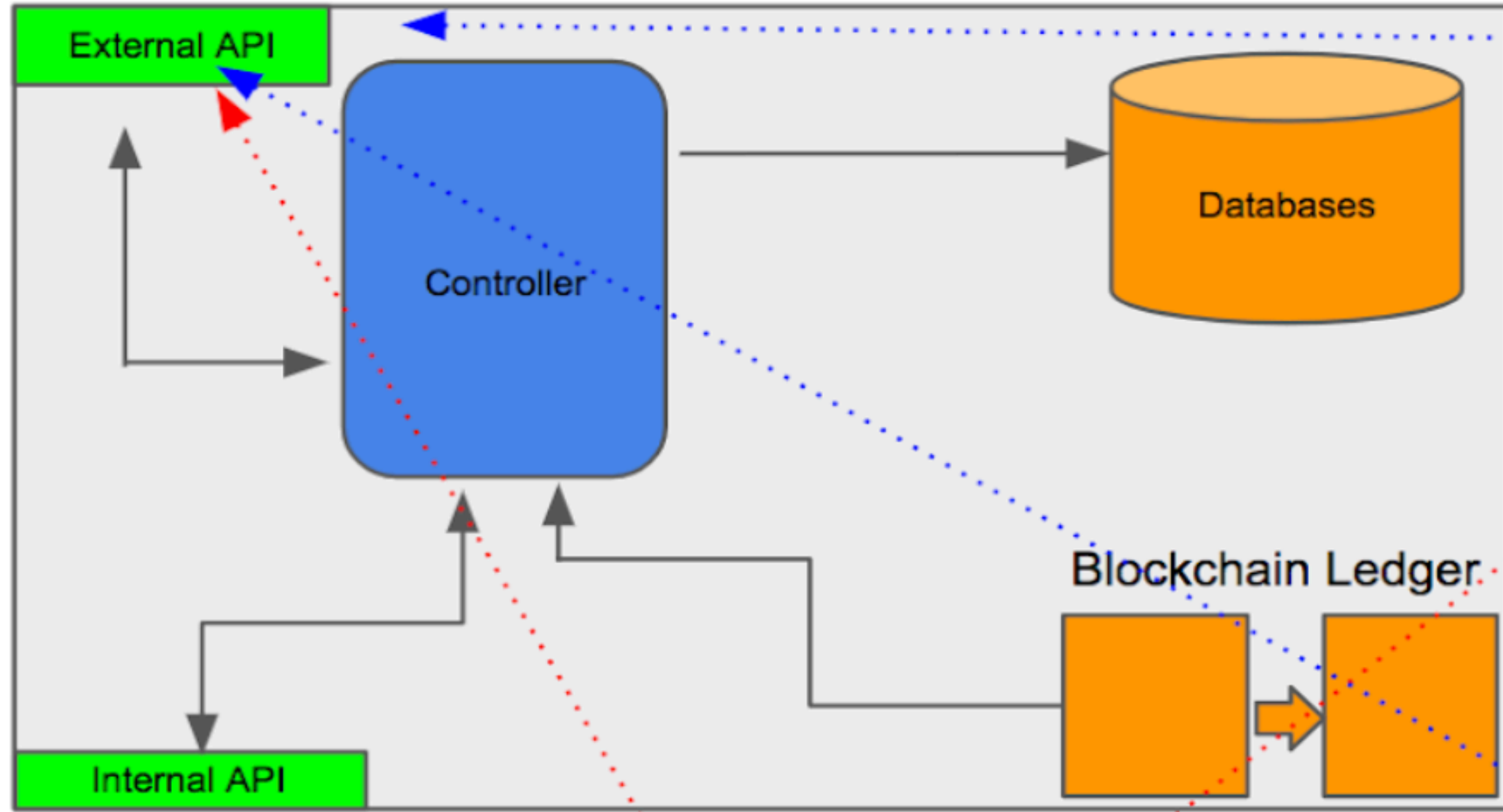


Consortium

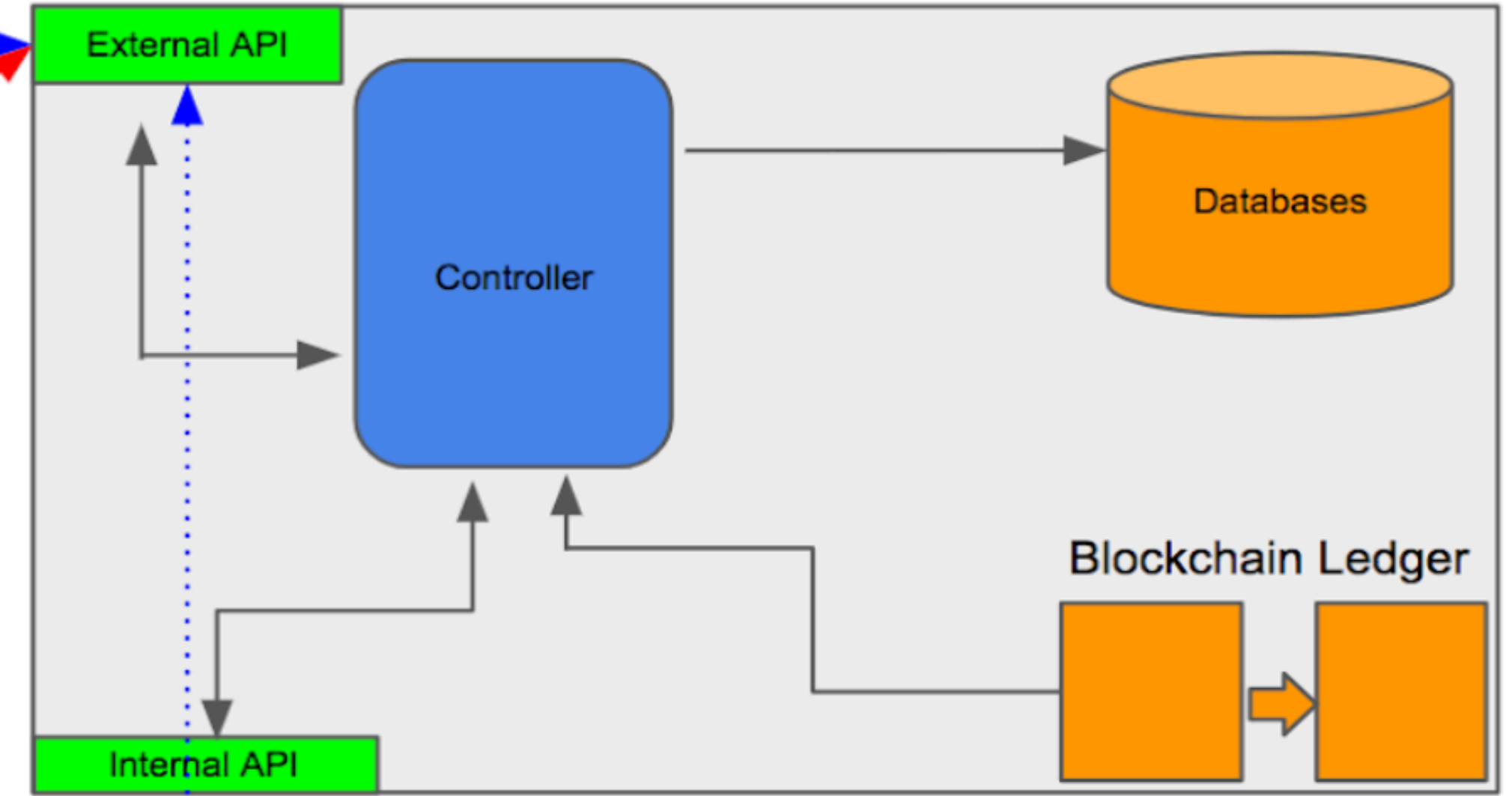
Controlled by a group



Company Node A

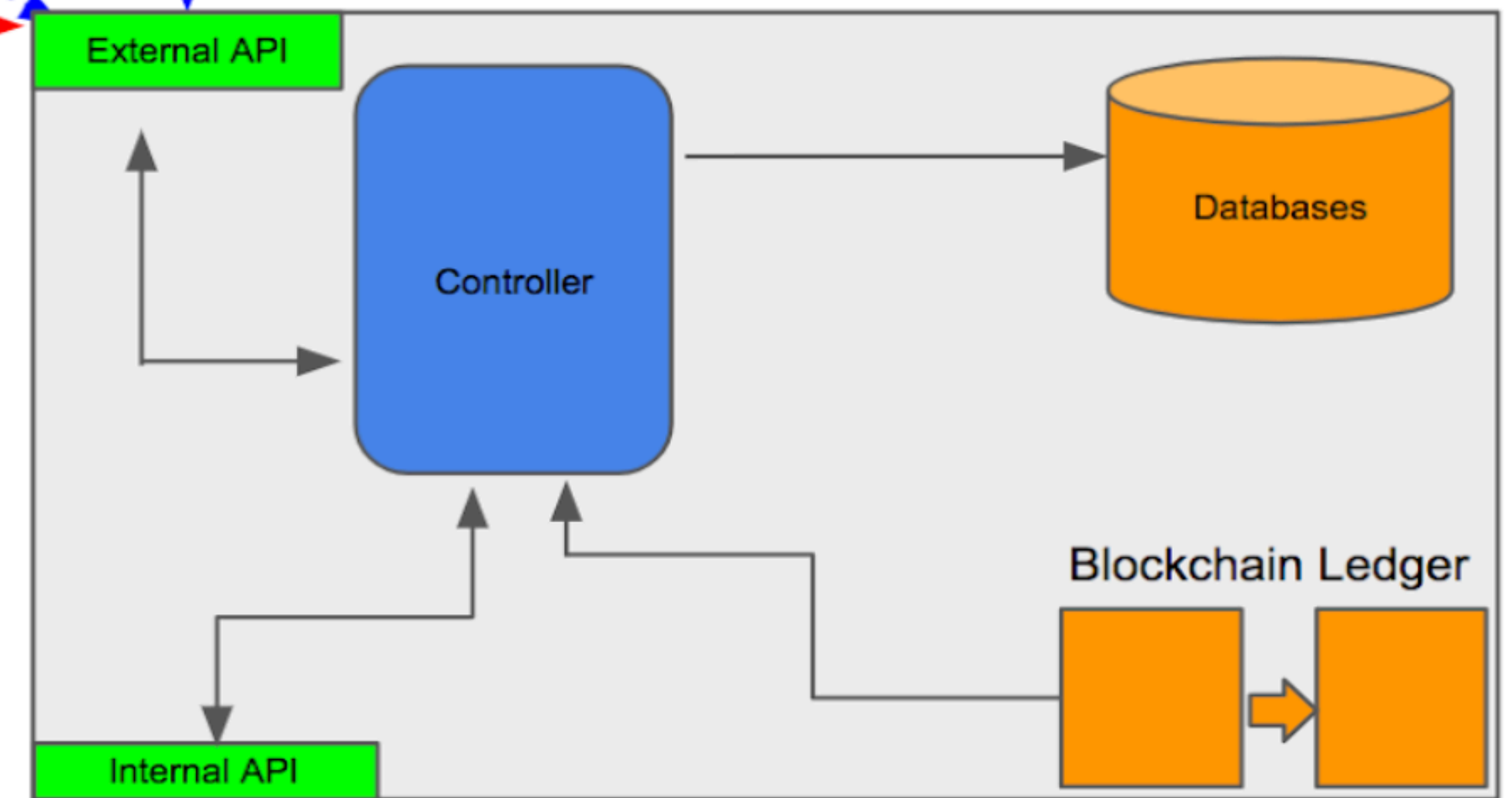


Company Node B

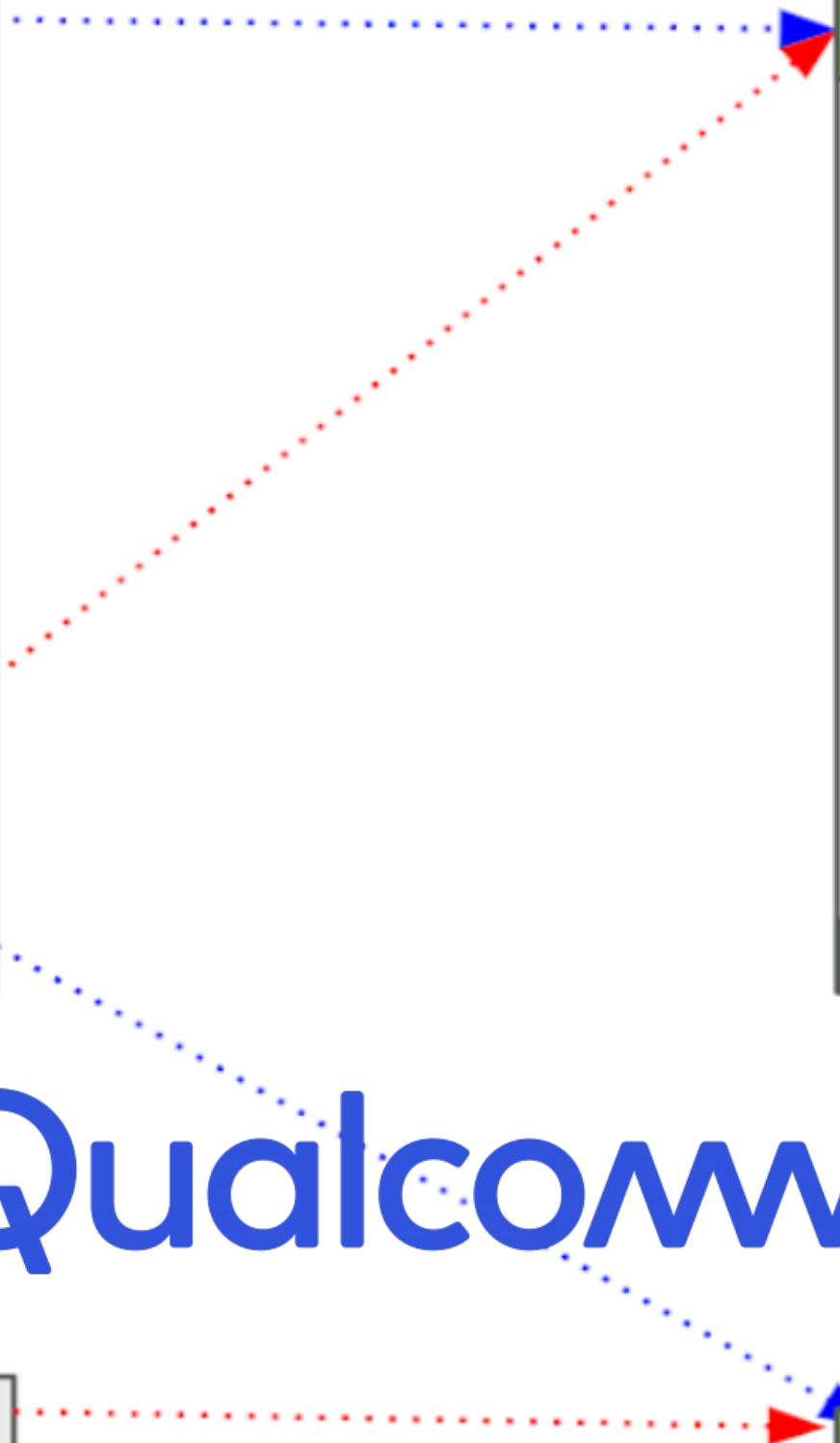
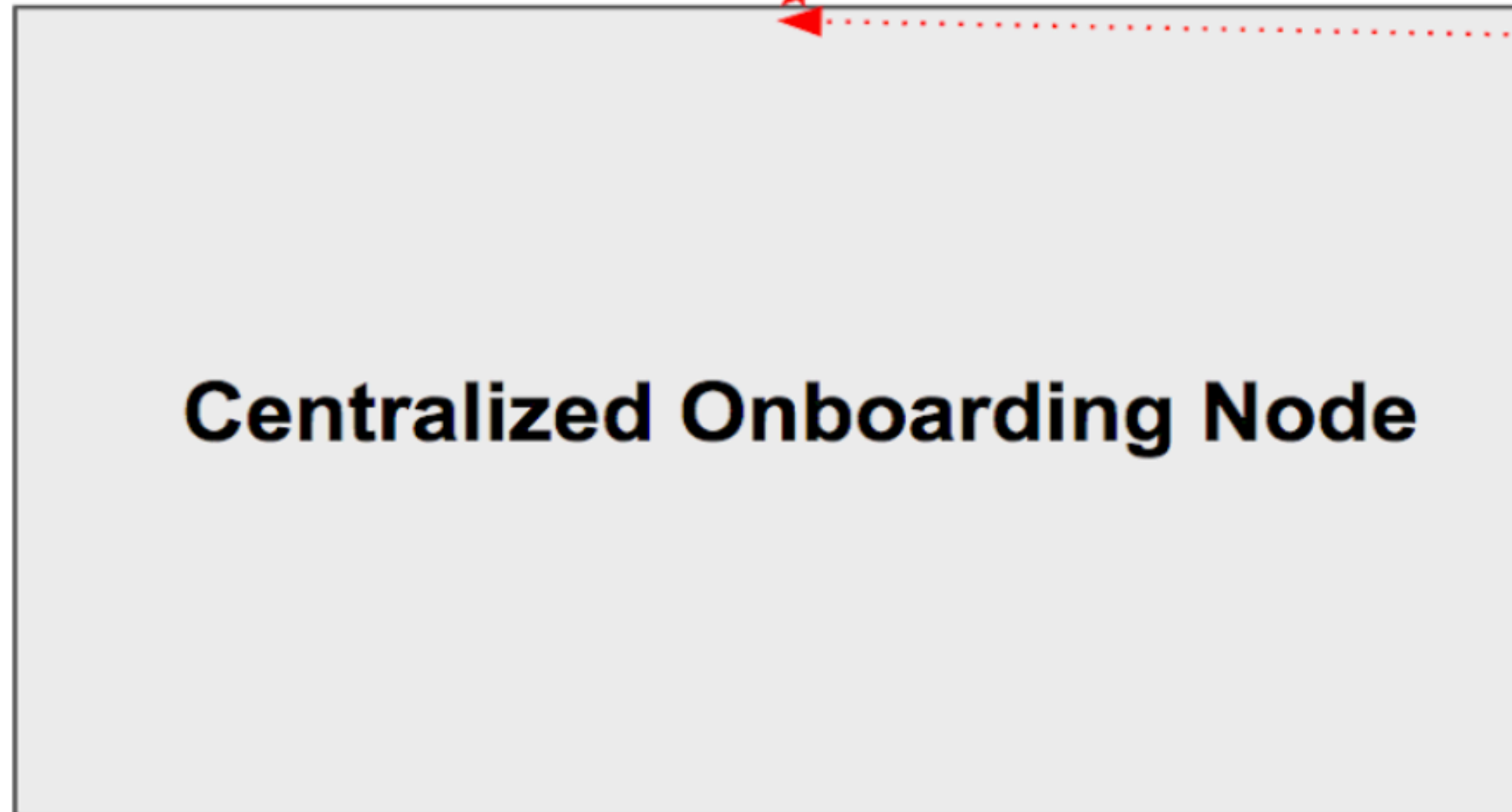


Qualcomm

Company Node C



Centralized Onboarding Node



 **evmOS** ×  **XRP LEDGER**



EVM OPERATING SYSTEM



Sign In



Choose how you'd like to sign in to "apple-passkey.demo.hanko.io".



iPhone, iPad, or Android device
Use passkey from a device with
a camera



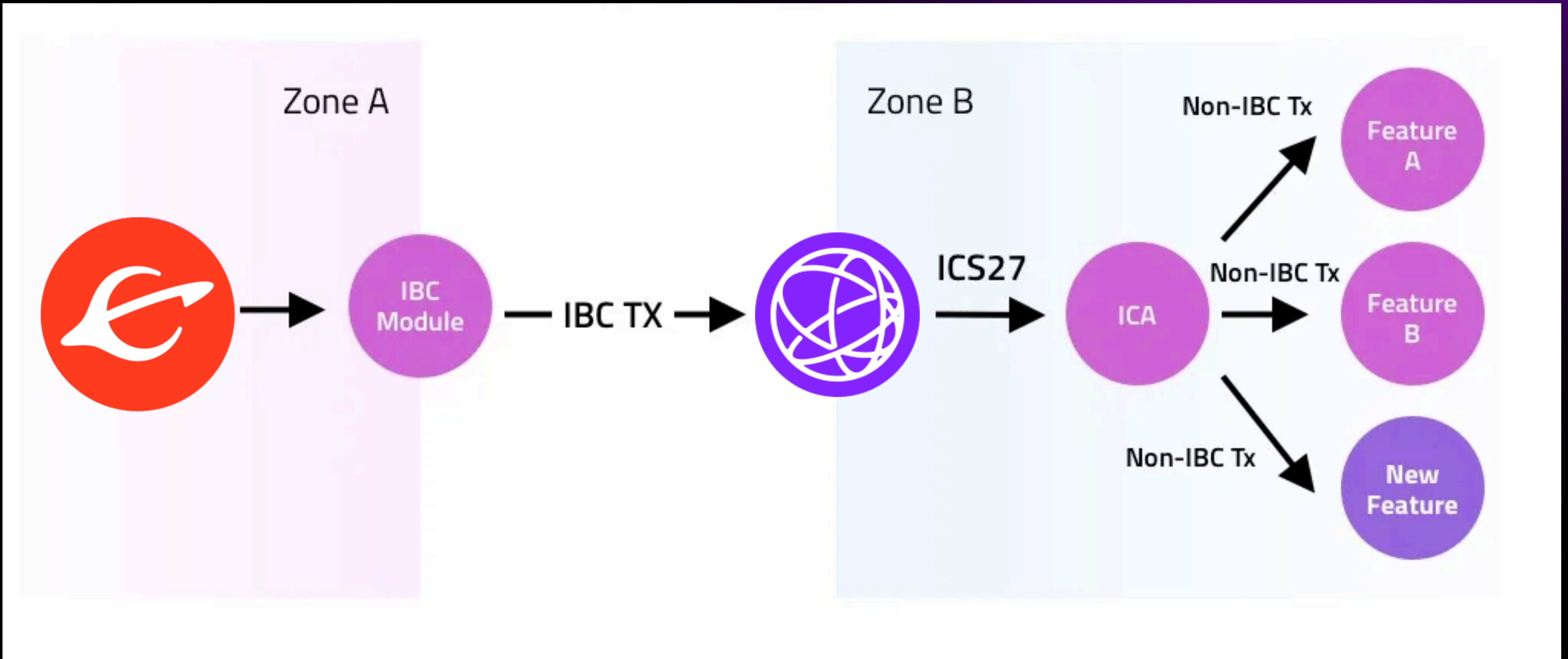
Security key
Use an external security key



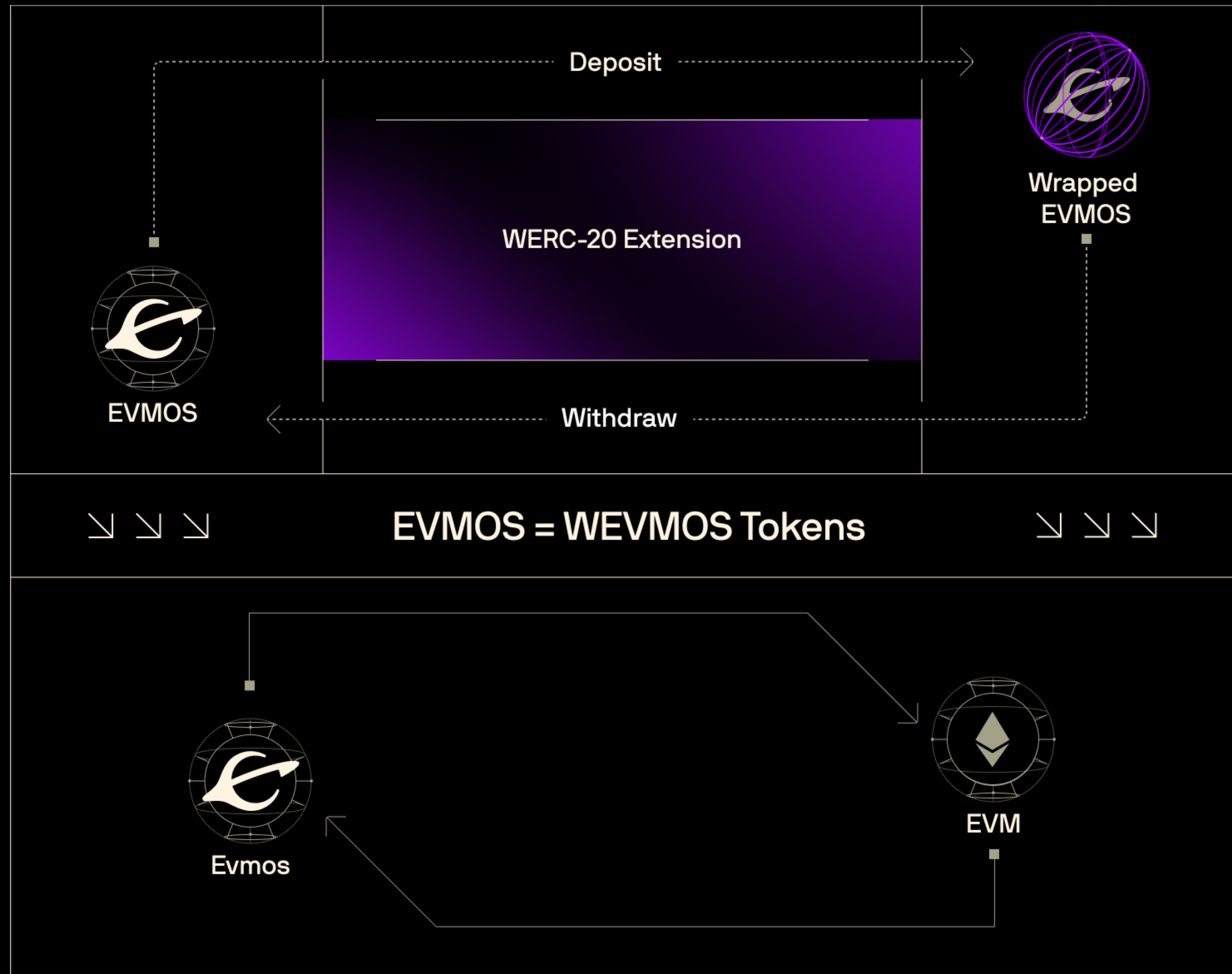
Continue



INTERCHAIN ACCOUNTS



NATIVE ASSETS





**WE ARE
HIRING!**

evmos.org/careers
careers@evmos.org



[@EvmosOrg](#)
[@fekunze](#)

